

CHANGES	DETAILS	DATE	WRITE	APPROVE

DX490LCA-7M / DX530LCA-7M(T2) DX490LC-7M / DX530LC-7M(T3)

CONTENTS

PAGE

1. GENERAL SPECIFICATION.....	2
2. ENGINE SYSTEM - DX490/530LCA-7M(T2).....	6
3. ENGINE SYSTEM - DX490/530LC-7M(T3).....	9
4. HYDRAULIC SYSTEM	12
- PUMP PERFORMANCE CURVE	15
5. SWING MECHANISM.....	17
6. TRAVEL SYSTEM.....	19
7. UNDER CARRIAGE	20
8. HYDRAULIC CYLINDERS.....	23
9. FRONT	24
10. DIMENSIONS AND WORKING RANGE.....	37
11. LIFTING CAPACITIES	45
12. PERFORMANCE DATA	45
13. NOISE LEVEL	48
14. SUB GROUP WEIGHT	49
15. USER SERVICE DATA	50
16. CIRCUITS.....	51
- HYDRAULIC CIRCUIT : 950102-00858A(T2/T3).....	51
- ELECTRIC CIRCUIT : 950102-00952(T2), 950102-00953(T3).....	51

MODEL	DX490LCA-7M/DX530LCA-7M DX490LC-7M/DX530LC-7M	DWG No		1/51
-------	--	-----------	--	------

1. GENERAL SPECIFICATION

1) DX490LCA-7M(T2)

DX490LCA-7M(T2)		UNIT	STD.	OPT. 1	OPT. 2	OPT. 3	OPT. 4
OPERATING WEIGHT (Wide Retractable Track / *Fixed Track)		ton	51.0/ *48.3	50.9/ *48.3	50.6/ *48.0	-	-
ENGINE	RATED POWER (Gross)	kW/rpm	257/1800				
	MAX. TORQUE	N.m/rpm	1550/1200				
SYSTEM PRESSURE (Work / Travel)		bar	324(343)/324				
SWING SPEED (EFF. 98%)		rpm	9.0				
TRAVEL SPEED (High / Low) (EFF. 98%)		km/h	5.5/3.1				
GRADEABILITY		%(deg)	70(35%)				
GROUND PRESSURE		kg/cm ²	0.89	0.88	←	-	-
DIGGING FORCE(ISO)	BUCKET (Nor./Press Up)	ton	28.2/29.9	←	←	-	-
	ARM (Nor./Press Up)	ton	21.3/22.6	24.3/25.7	19.0/20.2	-	-
WORKING RANGE	MAX. DIGGING REACH	mm	12125	11720	12670	-	-
	MAX. LOADING HEIGHT	mm	7865	7725	8025	-	-
	MAX. DIGGING DEPTH	mm	7790	7340	8405	-	-
	MAX. DIGGING HEIGHT	mm	11050	10920	11205	-	-
	REAR SWING RADIUS	mm	3800	←	←	-	-
	MIN. SWING RADIUS	mm	5210	5235	5185	-	-
TRANSPORTATION DIMENSION	OVERALL LENGTH	mm	12200	12325	12300	-	-
	OVERALL WIDTH (w/o Protector & Catwalk)	mm	3577/4100	←	←	-	-
	OVERALL HEIGHT	mm	3680	3865	3920	-	-
	GROUND CLEARANCE (w/o Grouser)	mm	725	←	←	-	-
	TRACK HEIGHT (w/o Grouser)	mm	1195	←	←	-	-
	TRACK LENGTH (with Grouser)	mm	5480	←	←	-	-
	GROUSER HEIGHT	mm	36	←	←	-	-
	TRACK GAUGE	mm	3300	←	←	-	-
	TUMBLER DISTANCE	mm	4470	←	←	-	-
OPTION ATTACHMENT	BOOM	mm	6300 / 7100 / 7100HD				
	ARM	mm	2400 / 2900 / 3350 / 3350HD / 3980				
	BUCKET(SAE)	m ³	GP : 2.14, 2.39, 2.86				
			H Class : 2.07, 2.35, 2.60, 2.72, 2.91, 3.28 H+ Class : 3.28				
			S Class : 1.94, 2.22, 2.59, 2.78, 3.15				
			X Class : 1.94, 2.22, 2.59, 2.78				
	SHOE	mm	600TG / 750TG / 800TG / 900TG / 600DG				
COUNTER WEIGHT	kg	8500 / 9200					
Spec. Combination Criteria	STD	BOOM(7100HD), ARM(3350HD), BUCKET(2.35H), SHOE(600TG), CW(8500)					
	OPTION 1	BOOM(7100HD), ARM(2900), BUCKET(2.60H), SHOE(600TG), CW(8500)					
	OPTION 2	BOOM(7100), ARM(3980), BUCKET(2.07H), SHOE(600TG), CW(8500)					

MODEL	DX490LCA-7M/DX530LCA-7M DX490LC-7M/DX530LC-7M	DWG No		2/51
-------	--	--------	--	------

2) DX530LCA-7M(T2)

DX530LCA-7M(T2)		UNIT	STD.	OPT. 1	OPT. 2	OPT. 3	OPT. 4	OPT. 5	OPT. 6	
OPERATING WEIGHT (Wide Retractable Track / *Fixed Track)		ton	53.5/ *50.8	53.3/ *50.7	53.7/ *51.0	53.6/ *50.9	53.2/ *50.6	52.5/ *49.8	52.8/ *50.1	
ENGINE	RATED POWER (Gross)	kW/rpm	257/1800							
	MAX. TORQUE	N.m/rpm	1550/1200							
SYSTEM PRESSURE (Work / Travel)		bar	324(343)/324							
SWING SPEED (EFF. 98%)		rpm	9.0							
TRAVEL SPEED (High / Low) (EFF. 98%)		km/h	5.5/3.1							
GRADEABILITY		%(deg)	70(35%)							
GROUND PRESSURE		kg/cm ²	0.93	←	←	←	0.92	0.91	0.92	
DIGGING FORCE(ISO)	BUCKET (Nor./Press Up)	ton	28.2/29.9	←	←	←	←	20.4/21.7	16.0/17.0	
	ARM (Nor./Press Up)	ton	24.3/25.7	28.2/29.9	21.3/22.6	24.3/25.7	19.0/20.2	14.2/15.1	11.3/12.0	
WORKING RANGE	MAX. DIGGING REACH	mm	10735	10305	12125	11720	12670	16060	19615	
	MAX. LOADING HEIGHT	mm	6750	6650	7865	7725	8025	9800	11890	
	MAX. DIGGING DEPTH	mm	6755	6260	7790	7340	8405	11795	15125	
	MAX. DIGGING HEIGHT	mm	9630	9495	11050	10920	11205	12755	14435	
	REAR SWING RADIUS	mm	3800	←	←	←	←	←	←	
	MIN. SWING RADIUS	mm	4715	4740	5210	5235	5185	6525	7825	
TRANSPORTATION DIMENSION	OVERALL LENGTH	mm	11530	11720	12220	12325	12300	14150	16190	
	OVERALL WIDTH (w/o Protector & Catwalk)	mm	3577/4100	←	←	←	←	←	←	
	OVERALL HEIGHT	mm	4185	4075	3680	3865	3920	3905	4070	
	GROUND CLEARANCE (w/o Grouser)	mm	725	←	←	←	←	←	←	
	TRACK HEIGHT (w/o Grouser)	mm	1195	←	←	←	←	←	←	
	TRACK LENGTH (with Grouser)	mm	5480	←	←	←	←	←	←	
	GROUSER HEIGHT	mm	36	←	←	←	←	←	←	
	TRACK GAUGE	mm	3300	←	←	←	←	←	←	
	TUMBLER DISTANCE	mm	4470	←	←	←	←	←	←	
OPTION ATTACHMENT	BOOM	mm	6300 / 7100 / 7100HD							
	ARM	mm	2400 / 2900 / 3350 / 3350HD / 3980							
	BUCKET(SAE)	m ³	GP : 2.14, 2.39, 2.86							
			H Class : 2.07, 2.35, 2.60, 2.72, 2.91, 3.28, 3.60, 3.80 H+ Class : 3.28							
			S Class : 1.94, 2.22, 2.59, 2.78, 3.15							
			X Class : 1.94, 2.22, 2.59, 2.78							
	Long Reach : 0.92, 1.27, 1.12(DC), 1.37(DC)									
SHOE	mm	600TG / 750TG / 800TG / 900TG / 600DG								
COUNTER WEIGHT	kg	11100								
Spec. Combination Criteria	STD	BOOM(6300), ARM(2900), BUCKET(3.28H), SHOE(600TG), CW(11100)								
	OPTION 1	BOOM(6300), ARM(2400), BUCKET(3.60H), SHOE(600TG), CW(11100)								
	OPTION 2	BOOM(7100HD), ARM(3350HD), BUCKET(2.60H), SHOE(600TG), CW(11100)								
	OPTION 3	BOOM(7100HD), ARM(2900), BUCKET(2.72H), SHOE(600TG), CW(11100)								
	OPTION 4	BOOM(7100), ARM(3980), BUCKET(2.07H), SHOE(600TG), CW(11100)								
	OPTION 5	BOOM(9000), ARM(6000), BUCKET(1.27), SHOE(600TG), CW(11100)								
	OPTION 6	BOOM(11000), ARM(8000), BUCKET(0.92), SHOE(600TG), CW(11100)								

MODEL	DX490LCA-7M/DX530LCA-7M DX490LC-7M/DX530LC-7M	DWG No		3/51
-------	--	--------	--	------

3) DX490LC-7M(T3)

DX490LC-7M(T3)		UNIT	STD.	OPT. 1	OPT. 2	OPT. 3	OPT. 4
OPERATING WEIGHT (Wide Retractable Track / *Fixed Track)		ton	51.0/ *48.4	51.0/ *48.3	50.7/ *48.0	-	-
ENGINE	RATED POWER (Gross)	kW/rpm	294/2100 (294/1800)				
	MAX. TORQUE	N.m/rpm	1930/1400				
SYSTEM PRESSURE (Work / Travel)		bar	324(343)/324				
SWING SPEED (EFF. 98%)		rpm	9.0				
TRAVEL SPEED (High / Low) (EFF. 98%)		km/h	5.5/3.1				
GRADEABILITY		%(deg)	70(35%)				
GROUND PRESSURE		kg/cm ²	0.89	0.89	0.88	-	-
DIGGING FORCE(ISO)	BUCKET (Nor./Press Up)	ton	28.2/29.9	←	←	-	-
	ARM (Nor./Press Up)	ton	21.3/22.6	24.3/25.7	19.0/20.2	-	-
WORKING RANGE	MAX. DIGGING REACH	mm	12125	11720	12670	-	-
	MAX. LOADING HEIGHT	mm	7865	7725	8025	-	-
	MAX. DIGGING DEPTH	mm	7790	7340	8405	-	-
	MAX. DIGGING HEIGHT	mm	11050	10920	11205	-	-
	REAR SWING RADIUS	mm	3800	←	←	-	-
	MIN. SWING RADIUS	mm	5210	5235	5185	-	-
TRANSPORTATION DIMENSION	OVERALL LENGTH	mm	12200	12325	12300	-	-
	OVERALL WIDTH (w/o Protector & Catwalk)	mm	3577/4100	←	←	-	-
	OVERALL HEIGHT	mm	3680	3865	3920	-	-
	GROUND CLEARANCE (w/o Grouser)	mm	725	←	←	-	-
	TRACK HEIGHT (w/o Grouser)	mm	1195	←	←	-	-
	TRACK LENGTH (with Grouser)	mm	5480	←	←	-	-
	GROUSER HEIGHT	mm	36	←	←	-	-
	TRACK GAUGE	mm	3300	←	←	-	-
	TUMBLER DISTANCE	mm	4470	←	←	-	-
OPTION ATTACHMENT	BOOM	mm	6300 / 7100 / 7100HD				
	ARM	mm	2400 / 2900 / 3350 / 3350HD / 3980				
	BUCKET(SAE)	m ³	GP : 2.14, 2.39, 2.86				
			H Class : 2.07, 2.35, 2.60, 2.72, 2.91, 3.28 H+ Class : 3.28				
			S Class : 1.94, 2.22, 2.59, 2.78, 3.15				
			X Class : 1.94, 2.22, 2.59, 2.78				
	ROCK		Rock : 1.71				
SHOE	mm	600TG / 750TG / 800TG / 900TG / 600DG					
COUNTER WEIGHT	kg	8500 / 9200					
Spec. Combination Criteria	STD	BOOM(7100HD), ARM(3350HD), BUCKET(2.35H), SHOE(600TG), CW(8500/9200)					
	OPTION 1	BOOM(7100HD), ARM(2900), BUCKET(2.60H), SHOE(600TG), CW(8500/9200)					
	OPTION 2	BOOM(7100), ARM(3980), BUCKET(2.07H), SHOE(600TG), CW(8500/9200)					

MODEL	DX490LCA-7M/DX530LCA-7M DX490LC-7M/DX530LC-7M	DWG No		4/51
-------	--	--------	--	------

4) DX530LC-7M(T3)

DX530LC-7M(T3)		UNIT	STD.	OPT. 1	OPT. 2	OPT. 3	OPT. 4	OPT. 5	OPT. 6	
OPERATING WEIGHT (Wide Retractable Track / *Fixed Track)		ton	53.5/ *50.9	53.4/ *50.7	53.7/ *51.1	53.6/ *51.0	53.3/ *50.6	52.5/ *49.9	52.8/ *50.2	
ENGINE	RATED POWER (Gross)	kW/rpm	294/2100 (294/1800)							
	MAX. TORQUE	N.m/rpm	1930/1400							
SYSTEM PRESSURE (Work / Travel)		bar	324(343)/324							
SWING SPEED (EFF. 98%)		rpm	9.0							
TRAVEL SPEED (High / Low) (EFF. 98%)		km/h	5.5/3.1							
GRADEABILITY		%(deg)	70(35%)							
GROUND PRESSURE		kg/cm ²	0.93	←	←	←	←	0.91	0.92	
DIGGING FORCE(ISO)	BUCKET (Nor./Press Up)	ton	28.2/29.9	<	<	<	<	20.4/21.7	16.0/17.0	
	ARM (Nor./Press Up)	ton	24.3/25.7	28.2/29.9	21.3/22.6	24.3/25.7	19.0/20.2	14.2/15.1	11.3/12.0	
WORKING RANGE	MAX. DIGGING REACH	mm	10735	10305	12125	11720	12670	16060	19615	
	MAX. LOADING HEIGHT	mm	6750	6650	7865	7725	8025	9800	11890	
	MAX. DIGGING DEPTH	mm	6755	6260	7790	7340	8405	11795	15125	
	MAX. DIGGING HEIGHT	mm	9630	9495	11050	10920	11205	12755	14435	
	REAR SWING RADIUS	mm	3800	←	←	←	←	←	←	
	MIN. SWING RADIUS	mm	4715	4740	5210	5235	5185	6525	7825	
TRANSPORTATION DIMENSION	OVERALL LENGTH	mm	11530	11720	12220	12325	12300	14150	16190	
	OVERALL WIDTH (w/o Protector & Catwalk)	mm	3577/4100	←	←	←	←	←	←	
	OVERALL HEIGHT	mm	4185	4075	3680	3865	3920	3905	4070	
	GROUND CLEARANCE (w/o Grouser)	mm	725	←	←	←	←	←	←	
	TRACK HEIGHT (w/o Grouser)	mm	1195	←	←	←	←	←	←	
	TRACK LENGTH (with Grouser)	mm	5480	←	←	←	←	←	←	
	GROUSER HEIGHT	mm	36	←	←	←	←	←	←	
	TRACK GAUGE	mm	3300	←	←	←	←	←	←	
	TUMBLER DISTANCE	mm	4470	←	←	←	←	←	←	
OPTION ATTACHMENT	BOOM	mm	6300 / 7100 / 7100HD							
	ARM	mm	2400 / 2900 / 3350 / 3350HD / 3980							
	BUCKET(SAE)	m ³	GP : 2.14, 2.39, 2.86							
			H Class : 2.07, 2.35, 2.60, 2.72, 2.91, 3.28, 3.60, 3.80 H+ Class : 3.28							
			S Class : 1.94, 2.22, 2.59, 2.78, 3.15							
			X Class : 1.94, 2.22, 2.59, 2.78							
	Long Reach : 0.92, 1.27, 1.12(DC), 1.37(DC)									
SHOE	mm	600TG / 750TG / 800TG / 900TG / 600DG								
COUNTER WEIGHT	kg	11100								
Spec. Combination Criteria	STD	BOOM(6300), ARM(2900), BUCKET(3.28H), SHOE(600TG), CW(11100)								
	OPTION 1	BOOM(6300), ARM(2400), BUCKET(3.60H), SHOE(600TG), CW(11100)								
	OPTION 2	BOOM(7100HD), ARM(3350HD), BUCKET(2.60H), SHOE(600TG), CW(11100)								
	OPTION 3	BOOM(7100HD), ARM(2900), BUCKET(2.72H), SHOE(600TG), CW(11100)								
	OPTION 4	BOOM(7100), ARM(3980), BUCKET(2.07H), SHOE(600TG), CW(11100)								
	OPTION 5	BOOM(9000), ARM(6000), BUCKET(1.27), SHOE(600TG), CW(11100)								
	OPTION 6	BOOM(11000), ARM(8000), BUCKET(0.92), SHOE(600TG), CW(11100)								

MODEL	DX490LCA-7M/DX530LCA-7M DX490LC-7M/DX530LC-7M	DWG No		5/51
-------	--	--------	--	------

2. ENGINE SYSTEM (T2)

1) ENGINE

RATED HORSE POWER

Gross (ISO14396, SAE J1995) : 257 kW (350 PS, 344.5 HP) @ 1,800 rpm
Net (ISO9249, SAE J1349) : 253 kW (344.0 PS, 339.1 HP) @ 1,800 rpm

MAX. TORQUE : 1550 N.m (158.1 kgf.m) @ 1200rpm

FUEL CONSUMPTION : 217.5 g/kWh @ RATED SPEED

TYPE : 4-CYCLE WATER-COOLED
WASTE GATE TURBOCHARGE
MECHANICAL DIRECT INJECTION

DISPLACEMENT : 11,051cc

No. OF CYLINDER : 6

BORE DIA. & STROKE : $\Phi 123 \times 155$ mm

COMPRESSION RATIO : 18.2:1

HIGH IDLE SPEED : 2000 + 50 rpm

LOW IDLE SPEED : 1000 \pm 25 rpm

STARTING MOTOR : 24 V x 7.0 kW

DRY WEIGHT : 1024 kg

2) ALTERNATOR

VOLTAGE : 28 V

RATING AMPERES : 80A

3) BATTERY

SYSTEM VOLTAGE : 24 V

QUANTITY : 12 V x 2

CAPACITY (AMP) : 200 AH

4) PUMP DRIVE

DRIVE TYPE : FLEXIBLE COUPLING JOINT

PERMISSIBLE TORQUE & RPM : 500 kgf.m, 3600 rpm

MODEL	DX490LCA-7M/DX530LCA-7M DX490LC-7M/DX530LC-7M	DWG No		6/51
-------	--	-----------	--	------

5) AIR CLEANER

TYPE : *DOUBLE ELEMENT*
FILTRATION AREA : *19.0 m2 (OUTER), 2.11 m2 (INNER)*
SIZE (DIA.x LENGTH) : *381 mm x 530 mm*
FILTERING EFFICENCY : *OVER 99.9% AT FULL LIFE*

6) MUFFLER

TYPE : *MUFFLER*
SIZE (D X L) : *Φ400mm X 960mm*

7) FAN

- FOR RADIATOR

TYPE : *SUCKER, 8-BLADE, PLASTIC*
SIZE : *Φ762 mm*
RPM AT RATED ENGINE RPM : *1440 rpm*

- FOR OIL COOLER

TYPE : *SUCKER, 11-BLADE, PLASTIC,*
SIZE : *Φ704 mm*
RPM AT RATED ENGINE RPM : *1550 rpm*

8) RADIATOR

TYPE : *BAR PLATE*

9) OIL COOLER

TYPE : *BAR PLATE*

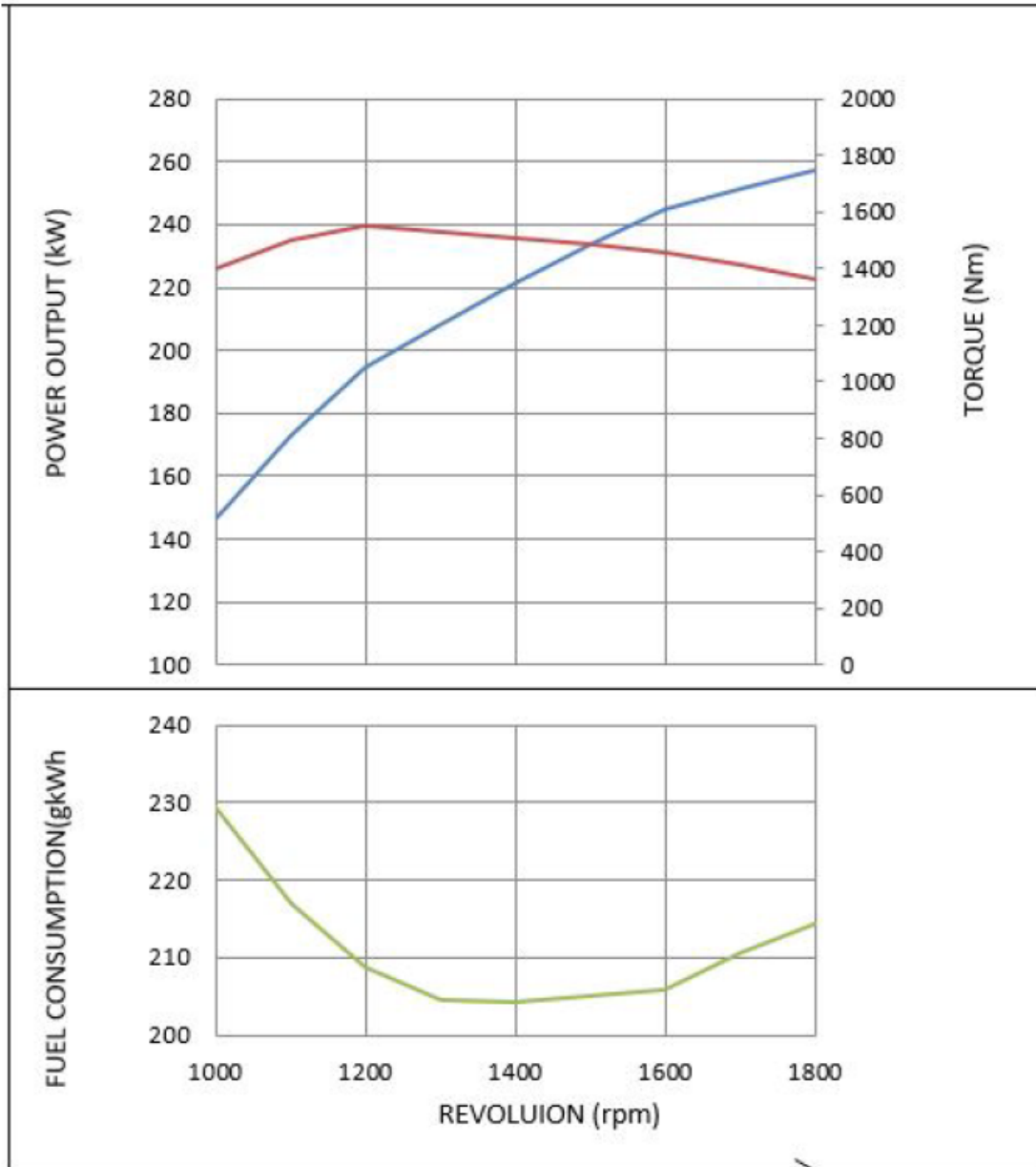
10) CHARGE AIR COOLER

TYPE : *BAR PLATE*

MODEL	DX490LCA-7M/DX530LCA-7M DX490LC-7M/DX530LC-7M	DWG No		7/51
-------	--	-----------	--	------

- ENGINE PERFORMANCE CURVE

CONDITION	SPECIFICATION
BAROMETIC PRESSURE	760 mmHg (25 °C)
COOLING FAN	NOT INSTALLED
ALTERNATOR	NOT INSTALLED
AIR CLEANER	INSTALLED
MUFFLER	INSTALLED



PERFORMANCE STANDARARD	SAE J 1995
POWER (MAX , <u>RATED</u>)	257 kW / 1800 rpm
MAX. TORQUE	1550 N.m / 1200 rpm
FUEL CONSUMPTION (MAX , <u>RATED</u>)	217.5 g/kWh (160 g/ps.h)

MODEL	DX490LCA-7M/DX530LCA-7M DX490LC-7M/DX530LC-7M	DWG No		8/51
-------	--	--------	--	------

3. ENGINE SYSTEM (T3)

1) ENGINE

RATED HORSE POWER

Gross (ISO14396, SAE J1995) : 294 kW (399.7 PS, 394.2 HP) @ 1,800 rpm

Net (ISO9249, SAE J1349) : 289 kW (392.9 PS, 387.6 HP) @ 1,800 rpm

MAX. TORQUE : 1930Nm @ 1400 rpm

FUEL CONSUMPTION : 215 g/kWh @ 1800rpm

TYPE : 4-CYCLE, WATER-COOLED

WASTE GATE CONTROLLED TURBOCHARGER,
UNIT INJECTOR

DISPLACEMENT : 12700 cc

No. OF CYLINDER : 6

BORE DIA. & STROKE : $\Phi 130 \times 160$ mm

COMPRESSION RATIO : 17.3:1

HIGH IDLE SPEED : 1900 \pm 25 rpm

LOW IDLE SPEED : 750 \pm 20 rpm

STARTING MOTOR : 24 V x 6.0 kW

DRY WEIGHT : 1050 kg

2) ALTERNATOR

VOLTAGE : 28 V

RATING AMPERES : 100 A

3) BATTERY

SYSTEM VOLTAGE : 24 V

QUANTITY : 12 V x 2

CAPACITY (AMP) : 200 AH

4) PUMP DRIVE

DRIVE TYPE : FLEXIBLE COUPLING JOINT

PERMISSIBLE TORQUE & RPM : 500 kgf.m, 3600 rpm

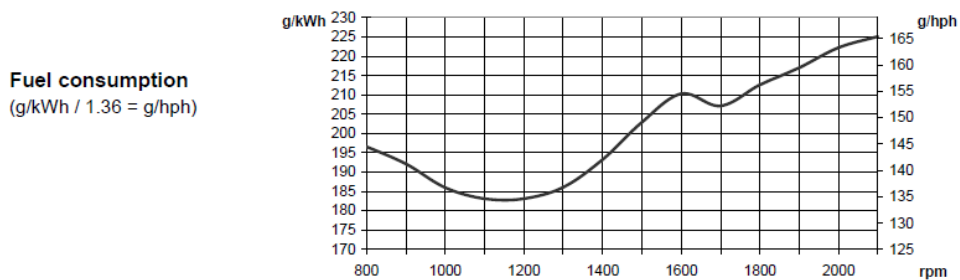
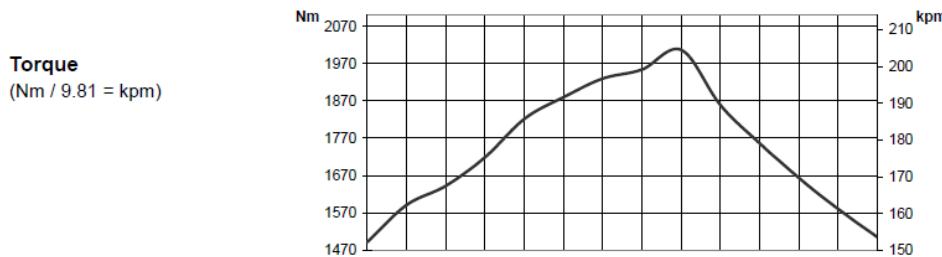
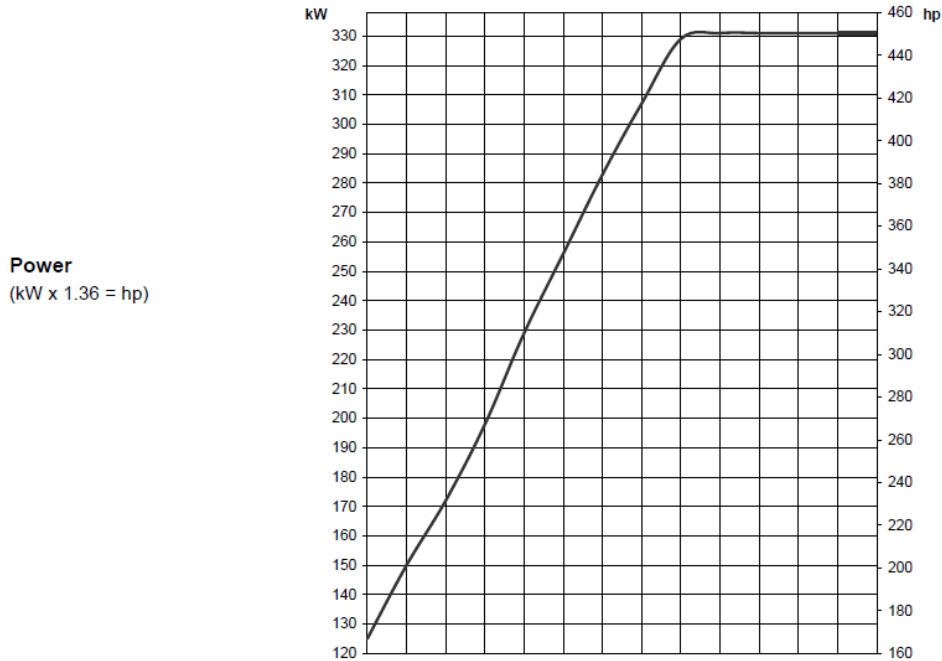
MODEL	DX490LCA-7M/DX530LCA-7M DX490LC-7M/DX530LC-7M	DWG No		9/51
-------	--	-----------	--	------

- 5) AIR CLEANER
- TYPE : *DOUBLE ELEMENT*
- FILTRATION AREA : *19.0 m2 (OUTER), 2.11 m2 (INNER)*
- SIZE (DIA.x LENGTH) : *381 mm x 530 mm*
- FILTERING EFFICENCY : *OVER 99.9% AT FULL LIFE*
- 6) AFTER TREATMENT
- TYPE : *MUFFLER*
- SIZE (D X L) : *Φ400mm X 960mm*
- 7) FAN
- FOR RADIATOR
- TYPE : *SUCKER, 11-BLADE, PLASTIC*
- SIZE : *Φ762 mm*
- RPM AT RATED ENGINE RPM : *1350 rpm*
- FOR OIL COOLER
- TYPE : *SUCKER, 11-BLADE, PLASTIC,*
- SIZE : *Φ704 mm*
- RPM AT RATED ENGINE RPM : *1750 rpm*
- 8) RADIATOR
- TYPE : *BAR PLATE*
- 9) OIL COOLER
- TYPE : *BAR PLATE*
- 10) CHARGE AIR COOLER
- TYPE : *BAR PLATE*
- 11) FUEL COOLER
- TYPE : *BAR PLATE*

MODEL	DX490LCA-7M/DX530LCA-7M DX490LC-7M/DX530LC-7M	DWG No		10/51
-------	--	-----------	--	-------

- ENGINE PERFORMANCE CURVE

CONDITION	SPECIFICATION
BAROMETIC PRESSURE	760 mmHg (25 °C)
COOLING FAN	NOT INSTALLED
ALTERNATOR	NOT INSTALLED
AIR CLEANER	INSTALLED
MUFFLER	INSTALLED



PERFORMANCE STANDARARD	SAE J 1995
POWER (MAX , <u>RATED</u>)	294 kW /2100 rpm
MAX. TORQUE	1930 N.m / 1400 rpm
FUEL CONSUMPTION (MAX , <u>RATED</u>)	215 g/kWh (158.1 g/ps.h)

MODEL	DX490LCA-7M/DX530LCA-7M DX490LC-7M/DX530LC-7M	DWG No		11/51
-------	--	--------	--	-------

4. HYDRAULIC SYSTEM

1) MAIN PUMP

TYPE	:	PARALLEL, BENT AXIS, AXIAL PISTON
QUANTITY	:	2
DISPLACEMENT	:	225 cc/rev
MAX. FLOW RATE	:	2 x 390 Liter/min @ 100 bar, 1800rpm
MAX. FLOW RATE(Theoretical)	:	2 x 405 Liter/min, @ 1800rpm
WEIGHT	:	193 kg

2) PILOT PUMP

TYPE	:	GEAR
DISPLACEMENT	:	13.4 cc/rev(i=0.804)
MAX. FLOW RATE	:	24 Liter/min @ 1800rpm
RELIEF VALVE PRESSURE	:	40 bar(40.8 kgf/cm ²)

3) CONTROL VALVE

TYPE	:	PILOT CONTROL
SPOOL DIA.	:	Φ35 mm
SPOOL ARRANGEMENT	:	TRAVEL R, OPT, SWING, BOOM2, ARM1 TRAVEL L, BUCKET, BOOM1, ARM2
RELIEF VALVE PRESSURE	:	370 bar(377 kgf/cm ²)
PORT RELIEF VALVE PRESSURE:	:	380 bar(387.5 kgf/cm ²)
ACCESSARY VALVES	:	BY-PASS CUT, BOOM HOLDING VALVE, ARM HOLDING VALVE, TRAVEL STRAIGHT
WEIGHT	:	444 kg

4) REMOTE CONTROL VALVE; WORK/SWING

TYPE	:	PILOT, 1-STAGE, 3-BUTTON
P vs STROKE CHARACTERISTIC:	:	6.9 bar (7.0 kgf/cm ²) @ 1.0mm 27.5 bar (28.0 kgf/cm ²) @ 6.5mm
WEIGHT	:	2.4 kg

5) REMOTE CONTROL VALVE; TRAVEL

MAKER & MODEL	:	EATON, JA9D3000
TYPE	:	PILOT, 1-STAGE, WITH DAMPER

MODEL	DX490LCA-7M/DX530LCA-7M DX490LC-7M/DX530LC-7M	DWG No		12/51
-------	--	-----------	--	-------

P vs STROKE CHARACTERISTIC: 7.4 bar (7.5 kgf/cm²) @ 1.0mm
 24.5 bar (25.0 kgf/cm²) @ 4.3mm

WEIGHT : 7.8 kg

6) *FAN DRIVE PUMP*

TYPE : AXIAL PISTON
DISPLACEMENT : 28.0 cc/rev
MAX. SETTING PRESSURE : 280 bar (285.5 kgf/cm²)
DIRECTION OF ROTATION : CLOCKWISE
WEIGHT : 15 kg

7) *FAN DRIVE MOTOR (OIL COOLER FAN)*

TYPE : GEAR
DISPLACEMENT : 19.09 cc/rev
MAX. OPERATING PRESSURE : 212 bar (216 kgf/cm²)
DIRECTION OF ROTATION : CLOCKWISE
WEIGHT : 6.722 kg

8) *PACKAGE SOLENOID VALVE*

TYPE : DC 24V, 4-SOLENOID VALVE
FUNCTION : SAFETY CUT OFF, TRAVEL 2-SPEED
 HAMMER OPERATING,
 BREAKER/SHEAR SELECT

9) *ACCUMULATOR*

NITROGEN CHARGE PRESSURE: 10 bar (10 kgf/cm²)
VOLUME : 0.32 Liter
WEIGHT : 1.6 kg

10) *BY-PASS VALVE*

12-1) *BY-PASS VALVE (C1)*

SIZE : 2-INCH
CRACKING PRESSURE : 3 bar (3 kgf/cm²) @ 10 Liter/min

12-2) *BY-PASS VALVE (C2)*

SIZE : 2-INCH
CRACKING PRESSURE : 6 bar (6 kgf/cm²) @ 10 Liter/min

MODEL	DX490LCA-7M/DX530LCA-7M DX490LC-7M/DX530LC-7M	DWG No		13/51
-------	--	-----------	--	-------

11) HYDRAULIC FILTERS

13-1) RETURN FILTER

FILTER MATERIAL	:	GLASS FIBER
QUANTITY	:	2
FILTRATION AREA(SIZE)	:	2.79 m ² (Φ172 x 415 mm)
FILTRATION EFFICIENCY&RATING	:	99.5 % (β10 = 200), 10μ
BY-PASS CRACKING PRESSURE	:	1.5 bar (1.5 kgf/cm ²) @ 40 Liter/min

13-2) PILOT FILTER

FILTER MATERIAL	:	SYNTHETIC FIBER
FILTRATION SIZE	:	Φ48.8 x 84 mm
FILTRATION EFFICIENCY&RATING	:	99.5 % (β10 = 200), 10μ
BYPASS CRACKING PRESSURE	:	1.7 bar (1.7 kgf/cm ²)

13-3) SUCTION STRAINER

FILTRATION SIZE	:	0.54m ² (Ø200 x 190 mm)
FILTRATION RATING	:	177μ (80 mesh)

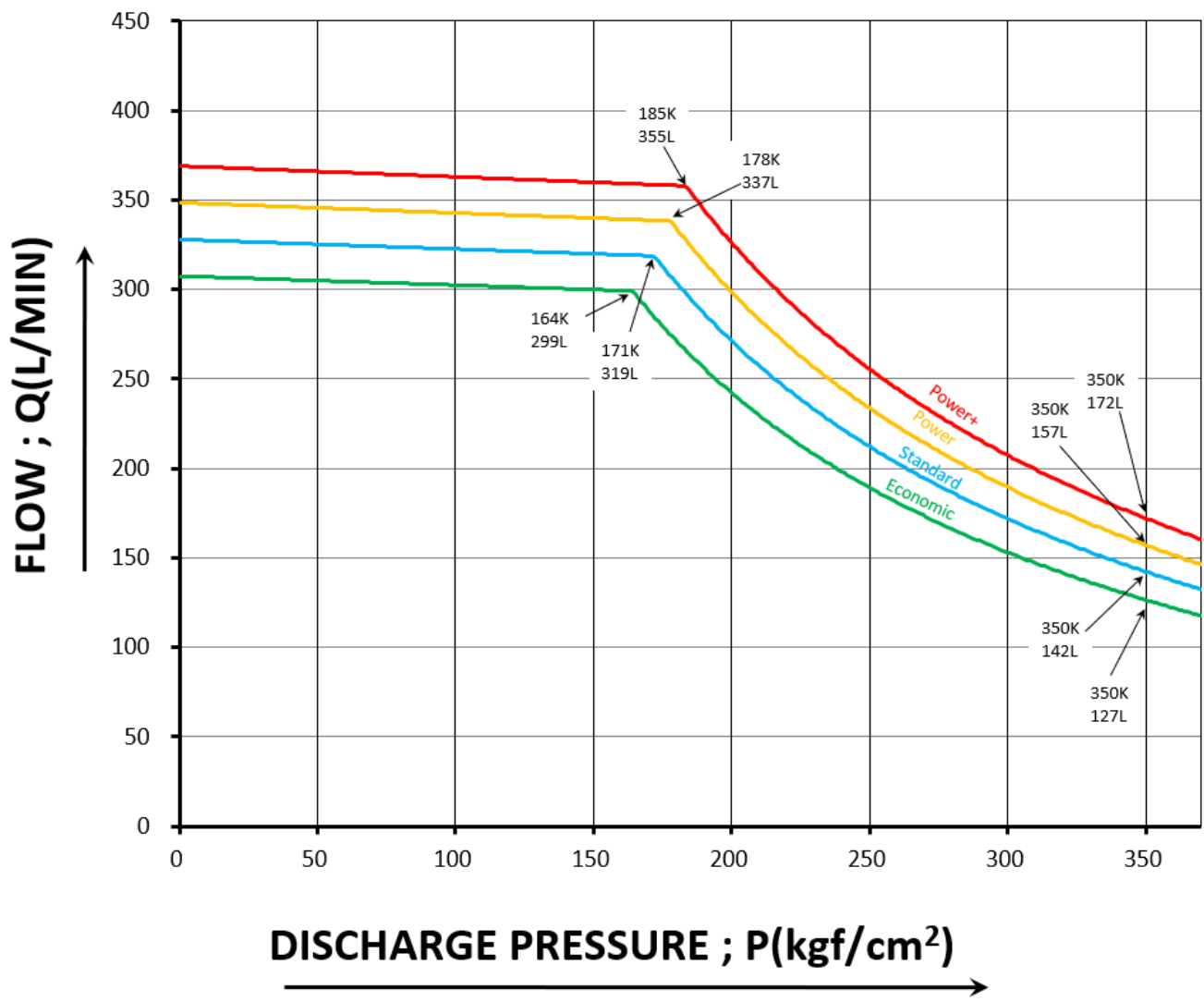
12) AIR BREATHER

CRACKING PRESSURE	:	0.45 bar (0.46 kgf/cm ²) @ 1 Liter/min
VACUUM RELIEF PRESSURE	:	0.04 ~ 0.05 bar @ 1 Liter/min
FILTRATION EFFICIENCY&RATING	:	99.5 % (β10 = 200), 10μ
FILTRATION SIZE	:	590 cm ² (Ø45 x 67 mm)

MODEL	DX490LCA-7M/DX530LCA-7M DX490LC-7M/DX530LC-7M	DWG No		14/51
-------	--	-----------	--	-------

PUMP PERFORMANCE CURVE (T2)

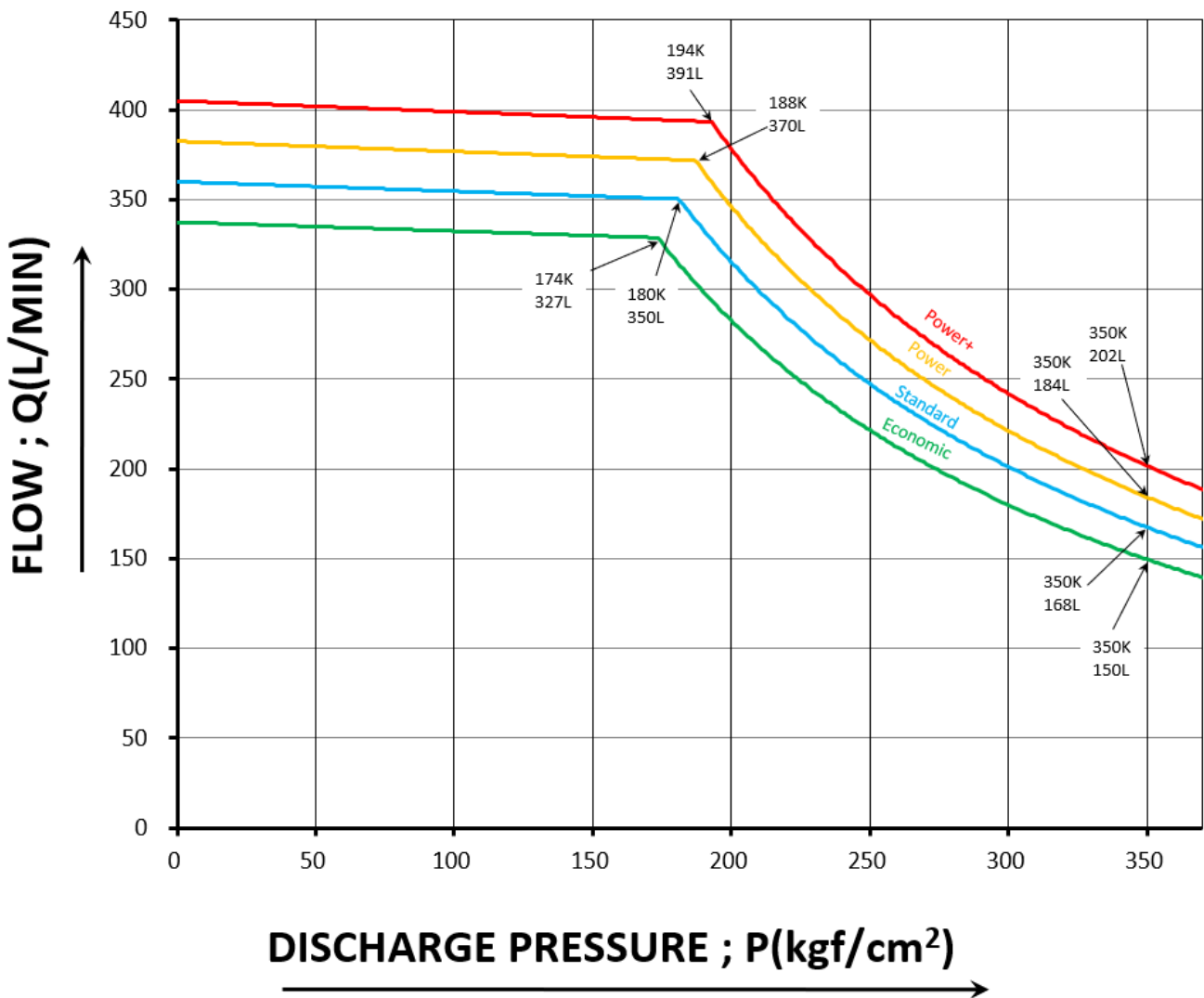
CONTENT		UNIT	VALUE
P+ MODE	INPUT rpm	rpm	1800
	INPUT POWER	kW	246
P MODE	INPUT rpm	rpm	1700
	INPUT POWER	kW	225
S MODE	INPUT rpm	rpm	1600
	INPUT POWER	kW	205
E MODE	INPUT rpm	rpm	1500
	INPUT POWER	kW	183



MODEL	DX490LCA-7M/DX530LCA-7M DX490LC-7M/DX530LC-7M	DWG No	15/51
-------	--	--------	-------

PUMP PERFORMANCE CURVE (T3)

CONTENT		UNIT	VALUE
P+ MODE	INPUT rpm	rpm	1800
	INPUT POWER	kW	283
P MODE	INPUT rpm	rpm	1700
	INPUT POWER	kW	260
S MODE	INPUT rpm	rpm	1600
	INPUT POWER	kW	237
E MODE	INPUT rpm	rpm	1500
	INPUT POWER	kW	213



MODEL	DX490LCA-7M/DX530LCA-7M DX490LC-7M/DX530LC-7M	DWG No	16/51
-------	--	--------	-------

5. SWING MECHANISM

1) SWING MOTOR

TYPE	:	AXIAL PISTON
DISPLACEMENT	:	2 x 132 cc/rev
CROSSOVER RELIEF VALVE SETTING	:	294 bar (300 kgf/cm ²)
MAX. SUPPLY FLOW	:	390 Liter/min
MOTOR SHAFT SPEED	:	1,472 rpm
MOTOR SHAFT TORQUE	:	2 x 63 kgf.m (2 x 618 N.m)
ACCESSARY VALVES	:	SWING REACTIONLESS VALVE

2) SWING REDUCTION GEAR

DRIVE TYPE	:	2-STAGE PLANETARY GEAR
REDUCTION RATIO	:	21.581
MAX. OUTPUT SPEED	:	68.2 rpm
MAX. OUTPUT TORQUE	:	2 x 1,360 kgf.m (2 x 13.3 kN.m)
WEIGHT (INCLUDED MOTOR)	:	2 x 248.7 kg

3) PINION GEAR

TYPE	:	SPUR GEAR
GEAR P.C.D.	:	Φ180 mm
No. OF TEETH	:	15
MODULE	:	12

4) SWING BEARING

TYPE	:	BALL BEARING, INTERNAL GEAR
GEAR P.C.D.	:	Φ1332 mm
No. OF TEETH	:	111
BALL DIA.	:	Φ50.8 mm
RACE O.D.	:	Φ1682 mm
RACE HEIGHT	:	138 mm
STATIC THRUST LOAD	:	1,012,600 kg
WEIGHT	:	654 kg

MODEL	DX490LCA-7M/DX530LCA-7M DX490LC-7M/DX530LC-7M	DWG No		17/51
-------	--	-----------	--	-------

5) SWING PERFORMANCE

MAX. SWING SPEED (Theoretical)	:	9.2 rpm
MAX. SWING SPEED (EFF.=0.98)	:	9.0 rpm
MAX. SWING TORQUE (Theoretical)	:	20,130 kgf.m (197 kN.m)
MAX. SWING TORQUE (EFF.=0.81)	:	16,300 kgf.m (160 kN.m)

6) PARKING BRAKE

CONTROL TYPE	:	PILOT PRESSURE, MECHANICAL
BRAKE TORQUE	:	2 x 63 kgf.m (2 x 618 N.m)
BRAKE RELEASE PRESSURE	:	23 bar (23 kgf/cm ²)

7) MOTOR ACCESSARY

SELECT V/V CRACKING PRESSURE	:	13 bar (13 kgf/cm ²)
BRAKE TIME DELAYER	:	5.0(+3/-0) sec

MODEL	DX490LCA-7M/DX530LCA-7M DX490LC-7M/DX530LC-7M	DWG No		18/51
-------	--	-----------	--	-------

6. TRAVEL SYSTEM

1) TRAVEL MOTOR

TYPE	:	AXIAL PISTON, 2-SPEED
DISPLACEMENT	:	255/145 cc/rev
CROSSOVER RELIEF VALVE SETTING	:	343 bar (350 kgf/cm ²)
MAX. SUPPLY FLOW	:	390 Liter/min
MOTOR SHAFT SPEED	:	1,451/2,552 rpm
MOTOR SHAFT TORQUE	:	134 / 76 kgf.m (1,314 / 745 N.m)

2) REDUCTION GEAR

TYPE	:	3-STAGE PLANETERY GEAR
REDUCTION GEAR RATIO	:	68.23
MAX. OUTPUT SPEED	:	21.3 / 37.4 rpm
MAX. OUTPUT TORQUE	:	9,138 / 5,196 kgf.m (89.6 / 51.0 kN.m)
WEIGHT (INCLUDE MOTOR)	:	598 kg (Included motor)

3) SPROCKET

SPROCKET P.C.D.	:	Φ800.23 mm
TRACK LINK PITCH	:	215.9 mm
No. OF TEETH	:	23
WEIGHT	:	105 kg

4) TRAVELLING PERFORMANCE

TRAVELLING SPEED (Theoradical):	:	5.6 / 3.2 km/hr
TRAVELLING SPEED (EFF.= 98%):	:	5.5 / 3.1 km/hr
TRACTION FORCE (Theoradical) :	:	45.7 / 26.0 ton.f (448 / 255 kN)
TRACTION FORCE (EFF.=81%) :	:	37.0 / 21.0 ton.f (363 / 206 kN)
GRADEABILITY	:	35° (70 %)

5) PARKING BRAKE

CONTROL TYPE	:	MAIN PRESSURE, MECHANICAL
BRAKE TORQUE	:	87 kgf.m (853 N.m)
BRAKE RELEASE PRESSURE	:	8 bar (8.2 ± 1.5 kgf/cm ²)

MODEL	DX490LCA-7M/DX530LCA-7M DX490LC-7M/DX530LC-7M	DWG No		19/51
-------	--	-----------	--	-------

7. UNDER CARRIAGE

1) RECOIL MECHANISM

TYPE	:	<i>HYDRAULIC ADJUSTED</i>
RECOIL SPRING PRELOAD	:	<i>28039 kg</i>
RECOIL SPRING MAX. LOAD	:	<i>38777 kg</i>
RECOIL SPRING STROKE	:	<i>54 mm</i>
ADJUSTER TYPE	:	<i>GREASE CYLINDER</i>
WEIGHT	:	<i>278 kg</i>

2) ROLLERS ; LOWER

FLANGE TYPE	:	<i>SINGLE</i>
Q'TY PER SIDE	:	<i>9</i>
DIA.	:	<i>Φ200 mm</i>
WEIGHT	:	<i>80 kg</i>

3) ROLLERS ; UPPER

Q'TY PER SIDE	:	<i>2 (SINGLE) & 1 (SHAFT), Variable Track</i> <i>2 (SHAFT), Fixed Track</i>
DIA.	:	<i>Φ200 mm, Single Type</i> <i>Φ180 mm, Shaft Type</i>
WEIGHT	:	<i>80 kg, Single Type</i> <i>38.3 kg, Shaft Type</i>

4) FRONT IDLER

DIA.	:	<i>Φ630 mm</i>
WEIGHT	:	<i>258.6 kg</i>

MODEL	DX490LCA-7M/DX530LCA-7M DX490LC-7M/DX530LC-7M	DWG No		20/51
-------	--	-----------	--	-------

5) TRACK LINK

No. OF LINK PER SIDE	:	53
LINK PITCH	:	215.9 mm
PIN DIA.	:	Φ47.2 mm
TUMBLER DISTANCE	:	4,475 mm
TRACK GAUGE(Extended / Retracted)	:	3,300 / 2,740 mm (Wide Variable Track) 2,890 / 2,390 mm (Standard Variable Track, EU) 2,970 / 2,470 mm (Standard Variable Track, NA) 2,750 mm (Fixed Track)
WEIGHT (600mmTG, Included shoe)	:	2 x 2653 kg
WEIGHT (750mmTG, Included shoe)	:	2 x 3154 kg
WEIGHT (800mmTG, Included shoe)	:	2 x 3292 kg
WEIGHT (900mmTG, Included shoe)	:	2 x 3568 kg
WEIGHT (600mmDG, Included shoe)	:	2 x 2681 kg

6) TRACK SHOE

No. OF SHOE PER SIDE	:	53
----------------------	---	----

▶ DX490LC(A)-7M

SHOE WIDTH (mm)	GROUND PRESSURE kgf/cm ² (psi)	MACHINE WEIGHT (ton)
STD. 600TG	0.89(12.7)	51.0
OPT. 750TG	0.72(10.2)	52.0
OPT. 800TG	0.68(9.7)	52.2
OPT. 900TG	0.61(8.7)	52.8
OPT. 600DG	0.89(12.7)	51.0

(with Wide Variable Track)

SHOE WIDTH (mm)	GROUND PRESSURE kgf/cm ² (psi)	MACHINE WEIGHT (ton)
STD. 600TG	0.84(11.9)	48.4
OPT. 750TG	0.69(9.8)	49.4
OPT. 800TG	0.65(9.2)	49.6
OPT. 900TG	0.58(8.2)	50.2
OPT. 600DG	0.84(11.9)	48.4

(with Fixed Track)

MODEL	DX490LCA-7M/DX530LCA-7M DX490LC-7M/DX530LC-7M	DWG No		21/51
-------	--	-----------	--	-------

▶ DX530LC(A)-7M

SHOE WIDTH (mm)	GROUND PRESSURE kgf/cm ² (psi)	MACHINE WEIGHT (ton)
STD. 600TG	0.93(13.2)	53.5
OPT. 750TG	0.76(10.8)	54.5
OPT. 800TG	0.71(10.1)	54.8
OPT. 900TG	0.64(9.1)	55.4
OPT. 600DG	0.93(13.2)	53.6

(with Wide Variable Track)

SHOE WIDTH (mm)	GROUND PRESSURE kgf/cm ² (psi)	MACHINE WEIGHT (ton)
STD. 600TG	0.88(12.5)	50.9
OPT. 750TG	0.72(10.2)	51.9
OPT. 800TG	0.68(9.7)	52.2
OPT. 900TG	0.61(8.7)	52.7
OPT. 600DG	0.88(12.5)	50.9

(with Fixed Track)

MODEL	DX490LCA-7M/DX530LCA-7M DX490LC-7M/DX530LC-7M	DWG No		22/51
-------	--	-----------	--	-------

8. HYDRAULIC CYLINDERS

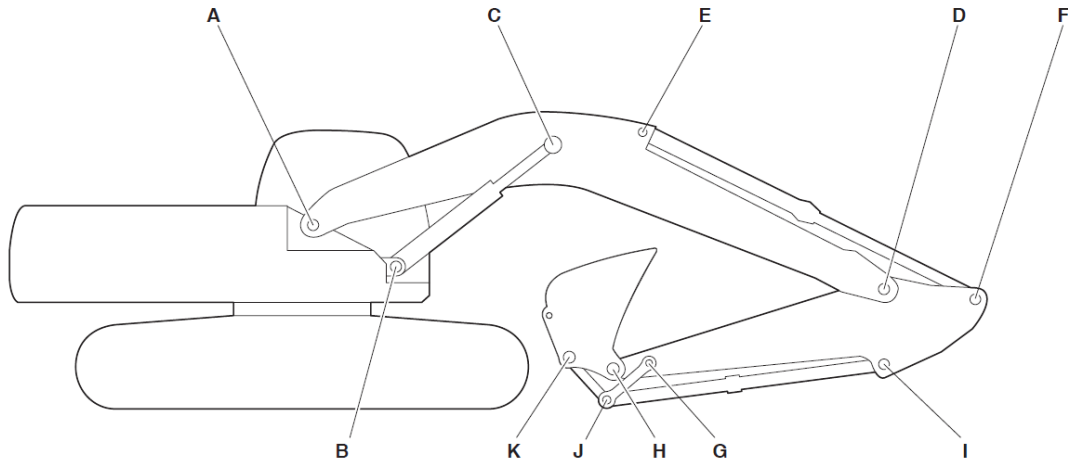
	BOOM	ARM	ARM for SHORT BOOM
QUANTITY	2	1	1
BORE (ϕ)	170	190	190
STROKE (mm)	1650	1980	1805
ROD DIA. (ϕ)	115	130	130
CLOSED LENGTH (mm)	2280	2780	2530
HEAD END CUSHION	X	O	O
ROD END CUSHION	O	O	O
WEIGHT (kg)	425	625	570

	BUCKET	BUCKET for 6m ARM	BUCKET for 8m ARM
QUANTITY	1	1	1
BORE (ϕ)	170	140	120
STROKE (mm)	1341	1150	1060
ROD DIA. (ϕ)	115	90	80
CLOSED LENGTH (mm)	2041	1710	1630
HEAD END CUSHION	X	X	X
ROD END CUSHION	O	O	O
WEIGHT (kg)	375	240	145

MODEL	DX490LCA-7M/DX530LCA-7M DX490LC-7M/DX530LC-7M	DWG No		23/51
-------	--	-----------	--	-------

9. FRONT

1) FRONT LINK PIN SIZES



POINT	BASIC			SEMI SLR			SLR		
	DIA. (mm)	LENGTH (mm)	WEIGHT (kg)	DIA. (mm)	LENGTH (mm)	WEIGHT (kg)	DIA. (mm)	LENGTH (mm)	WEIGHT (kg)
A	125	1162	115.3	125	1162	115.3	125	1162	115.3
B	110	296	23.8	110	296	23.8	110	296	23.8
C	120	1109	97.6	120	1109	97.6	120	1109	97.6
D	125	705	70.1	125	705	70.1	125	705	70.1
E	120	355	33.3	120	355	33.3	120	355	33.3
F	120	318	30	120	318	30	120	318	30
G	100	569	34.9	80	491	19.3	71	435	13.4
H	120	696	61.3	90	625	30.8	80	517	20
I	110	302	24.6	90	242	11.6	80	221	9.6
J	110	579	43.4	90	499	24.9	80	441	17.4
K	120	696	61.3	90	588	28.9	80	517	20

MODEL	DX490LCA-7M/DX530LCA-7M DX490LC-7M/DX530LC-7M	DWG No		24/51
-------	--	-----------	--	-------

2) FRONT ATTACHMENTS

2-1) BOOM

MODEL	BOOM	LENGTH (mm)	WEIGHT (kg)
DX490LC(A)-7M DX530LC(A)-7M	STANDARD	7100	3772
	HEAVY DUTY	7100	3829
	SHORT	6300	3495
DX530LC(A)-7M	SEMI SLR	9000	4037
	SLR	11000	4523

[NOTE]

1. THE WEIGHT INCLUDES BOOM WELDMENT AND BUSHES AS WELL.
2. SLR MEANS SUPER LONG REACH.

2-2) ARM

MODEL	BOOM (mm)	ARM	LENGTH (mm)	WEIGHT (kg)	DIGGING FORCE (NOM./PRESS.UP, tonf)
DX490LC(A)-7M DX530LC(A)-7M	STANDARD HEAVY DUTY SHORT	STANDARD	3350	1684	[SAE] 21.0 / 22.2 , [ISO] 21.3 / 22.6
		HEAVY DUTY	3350	1775	[SAE] 21.0 / 22.2 , [ISO] 21.3 / 22.6
		SHORT	2900	1655	[SAE] 23.8 / 25.3 , [ISO] 24.3 / 25.7
		LONG	3980	1831	[SAE] 18.9 / 20.0 , [ISO] 19.0 / 20.2
	6300	SHORT	2400	1462	[SAE] 27.6 / 29.2 , [ISO] 28.2 / 29.9
		SHORT	2900	1655	[SAE] 23.8 / 25.3 , [ISO] 24.3 / 25.7
DX530LC(A)-7M	9000	SEMI SLR	6000	2036	[SAE] 13.9 / 14.8 , [ISO] 14.2 / 15.1
	11000	SLR	8000	2429	[SAE] 11.1 / 11.8 , [ISO] 11.3 / 12.0

MODEL	DX490LCA-7M/DX530LCA-7M DX490LC-7M/DX530LC-7M	DWG No		25/51
-------	--	--------	--	-------

2-3) BUCKET

MODEL	BUCKET	CAPACITY (m ³)		BUCKET WIDTH (mm)		DIGGING FORCE (NOM./PRESS.UP, tonf)
		CECE	SAE	W/ CUTTER	W/O CUTTER	
DX490LC(A)-7M DX530LC(A)-7M	GP	1.89	2.14	1682	1588	SAE : 25.8 / 27.4 ISO : 29.0 / 30.8
	GP	2.1	2.39	1837	1744	
	GP	2.5	2.86	2130	2037	
	GP (ROCK)	1.48	1.71	-	1572	SAE : 25.7 / 27.3 ISO : 30.7 / 32.6
	R2H	1.87	2.07	1416	1382	SAE : 25.3 / 26.8 ISO : 28.2 / 29.9
	R2H	2.11	2.35	1566	1532	
	R2H	2.32	2.60	1666	1700	
	R2H	2.43	2.72	1766	1732	
	R2H	2.59	2.91	1866	1832	
	R2H	2.90	3.28	2066	2032	
	R2H	3.18	3.60	2096	2062	
	R2H	3.35	3.80	2196	2162	
	R2H+	2.90	3.28	2066	2032	
	R2S	1.76	1.94	-	1350	
	R2S	2.00	2.22		1500	
	R2S	2.32	2.59		1700	
	R2S	2.48	2.78		1800	
	R2S	2.79	3.15		2000	
	R2X	1.76	1.94		1370	
	R2X	2.00	2.22		1520	
R2X	2.32	2.59		1720		
R2X	2.48	2.78		1820		
DX530LC(A)-7M	SLR	0.81	0.93	1236	1173	SAE : 13.7 / 14.5 ISO : 16.0 / 17.0
	SEMI SLR	1.1	1.27	1445	1376	SAE : 18.1 / 19.1 ISO : 20.4 / 21.7
	SEMI SLR (DC)	0.96	1.12	-	1500	SAE : 19.3 / 20.4 ISO : 22.2 / 23.5
	SEMI SLR (DC)	1.17	1.37	-	1800	

MODEL	DX490LCA-7M/DX530LCA-7M DX490LC-7M/DX530LC-7M	DWG No		26/51
-------	--	--------	--	-------

2-4) BUCKET & ARM COMBINATIONS

DX490LC(A)-7M					Track	Wide Variable Track (3.9m)				
					Track Gauge (mm)	2740 / 3300 [Retracted/Extended]				
					C/W (kg)	8500				
					Shoe (mm)	600				
Bucket Type	Capacity (m ³)		Bucket Width (mm)		Weight (kg)	7.1m BOOM			6.3m BOOM	
	SAE	CECE	W/O Cutter	With Cutter		2.9m ARM	3.35m ARM	3.98m ARM	2.4m ARM	2.9m ARM
GP	2.14	1.89	1588	1682	1910	A	A	A	A	A
	2.39	2.10	1744	1837	2027	A	A	A	A	A
	2.86	2.51	2037	2130	2279	B	B	C	A	A
R2H	2.07	1.87	1382	1416	1952	A	A	A	A	A
	2.35	2.11	1532	1566	2121	A	A	A	A	A
	2.60	2.32	1666	1700	2260	A	B	B	A	A
	2.72	2.43	1732	1766	2283	A	B	C	A	A
	2.91	2.59	1832	1866	2411	B	B	C	A	A
	3.28	2.90	2032	2066	2572	C	C	D	A	A
	3.60	3.18	2062	2096	2710	C	D	D	A	B
3.80	3.35	2162	2196	2826	D	D	-	B	B	
R2H+	3.28	2.90	2032	2066	2684	C	C	D	A	A
R2S	1.94	1.76	1350	-	2268	A	A	A	A	A
	2.22	2.00	1500	-	2408	A	A	A	A	A
	2.59	2.32	1700	-	2594	A	B	C	A	A
	2.78	2.48	1800	-	2736	B	C	C	A	A
	3.15	2.79	2000	-	2922	C	C	D	A	A
R2X	1.94	1.76	1370		2485	A	A	A	A	A
	2.22	2.00	1520		2649	A	A	B	A	A
	2.59	2.32	1720		2930	B	B	C	A	A
	2.78	2.48	1820		3040	B	C	D	A	A
ROCK	1.71	1.48	1572	-	2075	A	A	A	A	A

Based on ISO 10567 and SAE J296, arm length without quick change clamp

A : Suitable for materials with density of 2100kg/m³ (3500lb/yd³) or less

B : Suitable for materials with density of 1800kg/m³ (3000lb/yd³) or less

C : Suitable for materials with density of 1500kg/m³ (2500lb/yd³) or less

D : Suitable for materials with density of 1200kg/m³ (2000lb/yd³) or less

- : Not recommended

MODEL	DX490LCA-7M/DX530LCA-7M DX490LC-7M/DX530LC-7M	DWG No		27/51
-------	--	--------	--	-------

DX490LC(A)-7M					Track	Wide Variable Track (3.9m)				
					Track Gauge (mm)	2740 / 3300 [Retracted/Extended]				
					C/W (kg)	9200				
					Shoe (mm)	600				
Bucket Type	Capacity (m ³)		Bucket Width (mm)		Weight (kg)	7.1m BOOM			6.3m BOOM	
	SAE	CECE	W/O Cutter	With Cutter		2.9m ARM	3.35m ARM	3.98m ARM	2.4m ARM	2.9m ARM
GP	2.14	1.89	1588	1682	1910	A	A	A	A	A
	2.39	2.10	1744	1837	2027	A	A	A	A	A
	2.86	2.51	2037	2130	2279	A	B	B	A	A
R2H	2.07	1.87	1382	1416	1952	A	A	A	A	A
	2.35	2.11	1532	1566	2121	A	A	A	A	A
	2.60	2.32	1666	1700	2260	A	A	B	A	A
	2.72	2.43	1732	1766	2283	A	A	B	A	A
	2.91	2.59	1832	1866	2411	A	B	C	A	A
	3.28	2.90	2032	2066	2572	B	C	D	A	A
	3.60	3.18	2062	2096	2710	C	D	D	A	B
R2H+	3.28	2.90	2032	2066	2684	C	C	D	A	A
R2S	1.94	1.76	1350	-	2268	A	A	A	A	A
	2.22	2.00	1500	-	2408	A	A	A	A	A
	2.59	2.32	1700	-	2594	A	B	B	A	A
	2.78	2.48	1800	-	2736	B	B	C	A	A
	3.15	2.79	2000	-	2922	C	C	D	A	A
R2X	1.94	1.76	1370		2485	A	A	A	A	A
	2.22	2.00	1520		2649	A	A	A	A	A
	2.59	2.32	1720		2930	A	B	C	A	A
	2.78	2.48	1820		3040	B	B	C	A	A
ROCK	1.71	1.48	1572	-	2075	A	A	A	A	A

Based on ISO 10567 and SAE J296, arm length without quick change clamp

A : Suitable for materials with density of 2100kg/m³ (3500lb/yd³) or less

B : Suitable for materials with density of 1800kg/m³ (3000lb/yd³) or less

C : Suitable for materials with density of 1500kg/m³ (2500lb/yd³) or less

D : Suitable for materials with density of 1200kg/m³ (2000lb/yd³) or less

- : Not recommended

MODEL	DX490LCA-7M/DX530LCA-7M DX490LC-7M/DX530LC-7M	DWG No		28/51
-------	--	--------	--	-------

DX490LC(A)-7M					Track	Wide Variable Track (3.9m)				
					Track Gauge (mm)	2740 / 3300 [Retracted/Extended]				
					C/W (kg)	9200				
					Shoe (mm)	900				
Bucket Type	Capacity (m ³)		Bucket Width (mm)		Weight (kg)	7.1m BOOM			6.3m BOOM	
	SAE	CECE	W/O Cutter	With Cutter		2.9m ARM	3.35m ARM	3.98m ARM	2.4m ARM	2.9m ARM
GP	2.14	1.89	1588	1682	1910	A	A	A	A	A
	2.39	2.10	1744	1837	2027	A	A	A	A	A
	2.86	2.51	2037	2130	2279	A	A	B	A	A
R2H	2.07	1.87	1382	1416	1952	A	A	A	A	A
	2.35	2.11	1532	1566	2121	A	A	A	A	A
	2.60	2.32	1666	1700	2260	A	A	A	A	A
	2.72	2.43	1732	1766	2283	A	A	B	A	A
	2.91	2.59	1832	1866	2411	A	B	B	A	A
	3.28	2.90	2032	2066	2572	B	C	C	A	A
	3.60	3.18	2062	2096	2710	C	C	D	A	A
R2H+	3.28	2.90	2032	2066	2684	B	C	C	A	A
R2S	1.94	1.76	1350	-	2268	A	A	A	A	A
	2.22	2.00	1500	-	2408	A	A	A	A	A
	2.59	2.32	1700	-	2594	A	A	B	A	A
	2.78	2.48	1800	-	2736	A	B	B	A	A
	3.15	2.79	2000	-	2922	B	C	C	A	A
R2X	1.94	1.76	1370		2485	A	A	A	A	A
	2.22	2.00	1520		2649	A	A	A	A	A
	2.59	2.32	1720		2930	A	A	B	A	A
	2.78	2.48	1820		3040	A	B	C	A	A
ROCK	1.71	1.48	1572	-	2075	A	A	A	A	A

Based on ISO 10567 and SAE J296, arm length without quick change clamp

A : Suitable for materials with density of 2100kg/m³ (3500lb/yd³) or less

B : Suitable for materials with density of 1800kg/m³ (3000lb/yd³) or less

C : Suitable for materials with density of 1500kg/m³ (2500lb/yd³) or less

D : Suitable for materials with density of 1200kg/m³ (2000lb/yd³) or less

- : Not recommended

MODEL	DX490LCA-7M/DX530LCA-7M DX490LC-7M/DX530LC-7M	DWG No		29/51
-------	--	--------	--	-------

DX490LC(A)-7M					Track		Fixed Track				
					Track Gauge (mm)		2750				
					C/W (kg)		8500				
					Shoe (mm)		600				
Bucket Type	Capacity (m ³)		Bucket Width (mm)		Weight (kg)	7.1m BOOM			6.3m BOOM		
	SAE	CECE	W/O Cutter	With Cutter		2.9m ARM	3.35m ARM	3.98m ARM	2.4m ARM	2.9m ARM	
GP	2.14	1.89	1588	1682	1910	A	A	A	A	A	
	2.39	2.10	1744	1837	2027	A	A	B	A	A	
	2.86	2.51	2037	2130	2279	B	C	C	A	A	
R2H	2.07	1.87	1382	1416	1952	A	A	A	A	A	
	2.35	2.11	1532	1566	2121	A	A	B	A	A	
	2.60	2.32	1666	1700	2260	A	B	C	A	A	
	2.72	2.43	1732	1766	2283	B	B	C	A	A	
	2.91	2.59	1832	1866	2411	B	C	D	A	A	
	3.28	2.90	2032	2066	2572	C	D	D	A	B	
	3.60	3.18	2062	2096	2710	D	D	-	B	B	
3.80	3.35	2162	2196	2826	D	-	-	B	C		
R2H+	3.28	2.90	2032	2066	2684	C	D	D	A	B	
R2S	1.94	1.76	1350	-	2268	A	A	A	A	A	
	2.22	2.00	1500	-	2408	A	A	B	A	A	
	2.59	2.32	1700	-	2594	B	C	C	A	A	
	2.78	2.48	1800	-	2736	B	C	D	A	A	
	3.15	2.79	2000	-	2922	C	D	D	A	B	
R2X	1.94	1.76	1370		2485	B	C	C	A	A	
	2.22	2.00	1520		2649	C	D	D	A	A	
	2.59	2.32	1720		2930	D	-	-	B	B	
	2.78	2.48	1820		3040	-	-	-	B	C	
ROCK	1.71	1.48	1572	-	2075	A	A	A	A	A	

Based on ISO 10567 and SAE J296, arm length without quick change clamp

A : Suitable for materials with density of 2100kg/m³ (3500lb/yd³) or less

B : Suitable for materials with density of 1800kg/m³ (3000lb/yd³) or less

C : Suitable for materials with density of 1500kg/m³ (2500lb/yd³) or less

D : Suitable for materials with density of 1200kg/m³ (2000lb/yd³) or less

- : Not recommended

MODEL	DX490LCA-7M/DX530LCA-7M DX490LC-7M/DX530LC-7M	DWG No		30/51
-------	--	--------	--	-------

DX490LC(A)-7M					Track		Fixed Track				
					Track Gauge (mm)		2750				
					C/W (kg)		9200				
					Shoe (mm)		600				
Bucket Type	Capacity (m ³)		Bucket Width (mm)		Weight (kg)	7.1m BOOM			6.3m BOOM		
	SAE	CECE	W/O Cutter	With Cutter		2.9m ARM	3.35m ARM	3.98m ARM	2.4m ARM	2.9m ARM	
GP	2.14	1.89	1588	1682	1910	A	A	A	A	A	
	2.39	2.10	1744	1837	2027	A	A	B	A	A	
	2.86	2.51	2037	2130	2279	B	B	C	A	A	
R2H	2.07	1.87	1382	1416	1952	A	A	A	A	A	
	2.35	2.11	1532	1566	2121	A	A	B	A	A	
	2.60	2.32	1666	1700	2260	A	B	B	A	A	
	2.72	2.43	1732	1766	2283	A	B	C	A	A	
	2.91	2.59	1832	1866	2411	B	C	C	A	A	
	3.28	2.90	2032	2066	2572	C	C	D	A	A	
	3.60	3.18	2062	2096	2710	D	D	D	A	B	
R2H+	3.28	2.90	2032	2066	2684	C	D	D	A	A	
R2S	1.94	1.76	1350	-	2268	A	A	A	A	A	
	2.22	2.00	1500	-	2408	A	A	B	A	A	
	2.59	2.32	1700	-	2594	A	B	C	A	A	
	2.78	2.48	1800	-	2736	B	C	C	A	A	
	3.15	2.79	2000	-	2922	C	D	D	A	A	
R2X	1.94	1.76	1370		2485	A	B	C	A	A	
	2.22	2.00	1520		2649	C	C	D	A	A	
	2.59	2.32	1720		2930	D	D	-	A	B	
	2.78	2.48	1820		3040	D	-	-	B	C	
ROCK	1.71	1.48	1572	-	2075	A	A	A	A	A	

Based on ISO 10567 and SAE J296, arm length without quick change clamp

A : Suitable for materials with density of 2100kg/m³ (3500lb/yd³) or less

B : Suitable for materials with density of 1800kg/m³ (3000lb/yd³) or less

C : Suitable for materials with density of 1500kg/m³ (2500lb/yd³) or less

D : Suitable for materials with density of 1200kg/m³ (2000lb/yd³) or less

- : Not recommended

MODEL	DX490LCA-7M/DX530LCA-7M DX490LC-7M/DX530LC-7M	DWG No		31/51
-------	--	--------	--	-------

DX490LC(A)-7M					Track		Fixed Track				
					Track Gauge (mm)		2750				
					C/W (kg)		9200				
					Shoe (mm)		900				
Bucket Type	Capacity (m ³)		Bucket Width (mm)		Weight (kg)	7.1m BOOM			6.3m BOOM		
	SAE	CECE	W/O Cutter	With Cutter		2.9m ARM	3.35m ARM	3.98m ARM	2.4m ARM	2.9m ARM	
GP	2.14	1.89	1588	1682	1910	A	A	A	A	A	
	2.39	2.10	1744	1837	2027	A	A	A	A	A	
	2.86	2.51	2037	2130	2279	A	B	C	A	A	
R2H	2.07	1.87	1382	1416	1952	A	A	A	A	A	
	2.35	2.11	1532	1566	2121	A	A	A	A	A	
	2.60	2.32	1666	1700	2260	A	A	B	A	A	
	2.72	2.43	1732	1766	2283	A	B	B	A	A	
	2.91	2.59	1832	1866	2411	B	B	C	A	A	
	3.28	2.90	2032	2066	2572	C	C	D	A	A	
	3.60	3.18	2062	2096	2710	C	D	D	A	B	
R2H+	3.28	2.90	2032	2066	2684	C	C	D	A	A	
R2S	1.94	1.76	1350	-	2268	A	A	A	A	A	
	2.22	2.00	1500	-	2408	A	A	A	A	A	
	2.59	2.32	1700	-	2594	A	B	B	A	A	
	2.78	2.48	1800	-	2736	B	B	C	A	A	
	3.15	2.79	2000	-	2922	C	C	D	A	A	
R2X	1.94	1.76	1370		2485	A	B	B	A	A	
	2.22	2.00	1520		2649	B	C	C	A	A	
	2.59	2.32	1720		2930	C	D	-	A	B	
	2.78	2.48	1820		3040	D	D	-	A	B	
ROCK	1.71	1.48	1572	-	2075	A	A	A	A	A	

Based on ISO 10567 and SAE J296, arm length without quick change clamp

A : Suitable for materials with density of 2100kg/m³ (3500lb/yd³) or less

B : Suitable for materials with density of 1800kg/m³ (3000lb/yd³) or less

C : Suitable for materials with density of 1500kg/m³ (2500lb/yd³) or less

D : Suitable for materials with density of 1200kg/m³ (2000lb/yd³) or less

- : Not recommended

MODEL	DX490LCA-7M/DX530LCA-7M DX490LC-7M/DX530LC-7M	DWG No		32/51
-------	--	--------	--	-------

DX530LC(A)-7M					Track	Wide Variable Track (3.9m)						
					Track Gauge (mm)	2740 / 3300 [Retracted/Extended]						
					C/W (kg)	11100						
					Shoe (mm)	600						
Bucket Type	Capacity (m ³)		Bucket Width (mm)		Weight (kg)	7.1m BOOM			6.3m BOOM		9m BOOM	11m BOOM
	SAE	CECE	W/O Cutter	With Cutter		2.9m ARM	3.35m ARM	3.98m ARM	2.4m ARM	2.9m ARM	6m ARM	8m ARM
SLR	0.92	0.81	1,173	1,236	724	-	-	-	-	-	-	A
SEMI	1.27	1.10	1,376	1,445	1,094	-	-	-	-	-	A	-
SEMI_DC	1.12	0.96	1,500	-	975	-	-	-	-	-	A	-
	1.37	1.17	1,800	-	1,116	-	-	-	-	-	A	-
GP	2.14	1.89	1588	1682	1910	A	A	A	A	A	-	-
	2.39	2.10	1744	1837	2027	A	A	A	A	A	-	-
	2.86	2.51	2037	2130	2279	A	A	A	A	A	-	-
R2H	2.07	1.87	1382	1416	1831	A	A	A	A	A	-	-
	2.35	2.11	1532	1566	1952	A	A	A	A	A	-	-
	2.60	2.32	1666	1700	2260	A	A	A	A	A	-	-
	2.72	2.43	1732	1766	2121	A	A	A	A	A	-	-
	2.91	2.59	1832	1866	2283	A	A	B	A	A	-	-
	3.28	2.90	2032	2066	2411	A	B	C	A	A	-	-
	3.60	3.18	2062	2096	2710	B	C	C	A	A	-	-
3.80	3.35	2162	2196	2826	C	C	D	A	A	-	-	
R2H+	3.28	2.90	2032	2066	2572	B	B	C	A	A	-	-
R2S	1.94	1.76	1350	-	2268	A	A	A	A	A	-	-
	2.22	2.00	1500	-	2408	A	A	A	A	A	-	-
	2.59	2.32	1700	-	2594	A	A	A	A	A	-	-
	2.78	2.48	1800	-	2736	A	A	B	A	A	-	-
	3.15	2.79	2000	-	2922	B	B	C	A	A	-	-
R2X	1.94	1.76	1370	-	2485	A	A	A	A	A	-	-
	2.22	2.00	1520	-	2649	A	A	A	A	A	-	-
	2.59	2.32	1720	-	2930	A	A	B	A	A	-	-
	2.78	2.48	1820	-	3040	A	A	B	A	A	-	-
ROCK	1.71	1.48	1572	-	2075	A	A	A	A	A	-	-

Based on ISO 10567 and SAE J296, arm length without quick change clamp

A : Suitable for materials with density of 2100kg/m³ (3500lb/yd³) or less

B : Suitable for materials with density of 1800kg/m³ (3000lb/yd³) or less

C : Suitable for materials with density of 1500kg/m³ (2500lb/yd³) or less

D : Suitable for materials with density of 1200kg/m³ (2000lb/yd³) or less

- : Not recommended

MODEL	DX490LCA-7M/DX530LCA-7M DX490LC-7M/DX530LC-7M	DWG No		33/51
-------	--	--------	--	-------

DX530LC(A)-7M					Track	Wide Variable Track (3.9m)						
					Track Gauge (mm)	2740 / 3300 [Retracted/Extended]						
					C/W (kg)	11100						
					Shoe (mm)	900						
Bucket Type	Capacity (m ³)		Bucket Width (mm)		Weight (kg)	7.1m BOOM			6.3m BOOM		9m BOOM	11m BOOM
	SAE	CECE	W/O Cutter	With Cutter		2.9m ARM	3.35m ARM	3.98m ARM	2.4m ARM	2.9m ARM	6m ARM	8m ARM
SLR	0.92	0.81	1,173	1,236	724	-	-	-	-	-	-	A
SEMI	1.27	1.10	1,376	1,445	1,094	-	-	-	-	-	A	-
SEMI_DC	1.12	0.96	1,500	-	975	-	-	-	-	-	A	-
	1.37	1.17	1,800	-	1,116	-	-	-	-	-	A	-
GP	2.14	1.89	1588	1682	1910	A	A	A	A	A	-	-
	2.39	2.10	1744	1837	2027	A	A	A	A	A	-	-
	2.86	2.51	2037	2130	2279	A	A	A	A	A	-	-
R2H	2.07	1.87	1382	1416	1831	A	A	A	A	A	-	-
	2.35	2.11	1532	1566	1952	A	A	A	A	A	-	-
	2.60	2.32	1666	1700	2260	A	A	A	A	A	-	-
	2.72	2.43	1732	1766	2121	A	A	A	A	A	-	-
	2.91	2.59	1832	1866	2283	A	A	A	A	A	-	-
	3.28	2.90	2032	2066	2411	A	B	B	A	A	-	-
	3.60	3.18	2062	2096	2710	B	B	C	A	A	-	-
3.80	3.35	2162	2196	2826	B	C	C	A	A	-	-	
R2H+	3.28	2.90	2032	2066	2572	A	B	B	A	A	-	-
R2S	1.94	1.76	1350	-	2268	A	A	A	A	A	-	-
	2.22	2.00	1500	-	2408	A	A	A	A	A	-	-
	2.59	2.32	1700	-	2594	A	A	A	A	A	-	-
	2.78	2.48	1800	-	2736	A	A	A	A	A	-	-
	3.15	2.79	2000	-	2922	A	B	C	A	A	-	-
R2X	1.94	1.76	1370	-	2485	A	A	A	A	A	-	-
	2.22	2.00	1520	-	2649	A	A	A	A	A	-	-
	2.59	2.32	1720	-	2930	A	A	B	A	A	-	-
	2.78	2.48	1820	-	3040	A	A	A	A	A	-	-
ROCK	1.71	1.48	1572	-	2075	A	A	A	A	A	-	-

Based on ISO 10567 and SAE J296, arm length without quick change clamp

A : Suitable for materials with density of 2100kg/m³ (3500lb/yd³) or less

B : Suitable for materials with density of 1800kg/m³ (3000lb/yd³) or less

C : Suitable for materials with density of 1500kg/m³ (2500lb/yd³) or less

D : Suitable for materials with density of 1200kg/m³ (2000lb/yd³) or less

- : Not recommended

MODEL	DX490LCA-7M/DX530LCA-7M DX490LC-7M/DX530LC-7M	DWG No		34/51
-------	--	--------	--	-------

DX530LC(A)-7M					Track	Fixed Track				
					Track Gauge (mm)	2750				
					C/W (kg)	11100				
					Shoe (mm)	600				
Bucket Type	Capacity (m ³)		Bucket Width (mm)		Weight (kg)	7.1m BOOM			6.3m BOOM	
	SAE	CECE	W/O Cutter	With Cutter		2.9m ARM	3.35m ARM	3.98m ARM	2.4m ARM	2.9m ARM
SLR	0.92	0.81	1,173	1,236	724	-	-	-	-	-
SEMI	1.27	1.10	1,376	1,445	1,094	-	-	-	-	-
SEMI_DC	1.12	0.96	1,500	-	975	-	-	-	-	-
	1.37	1.17	1,800	-	1,116	-	-	-	-	-
GP	2.14	1.89	1588	1682	1910	A	A	A	A	A
	2.39	2.10	1744	1837	2027	A	A	A	A	A
	2.86	2.51	2037	2130	2279	A	A	B	A	A
R2H	2.07	1.87	1382	1416	1831	A	A	A	A	A
	2.35	2.11	1532	1566	1952	A	A	A	A	A
	2.60	2.32	1666	1700	2260	A	A	A	A	A
	2.72	2.43	1732	1766	2121	A	A	B	A	A
	2.91	2.59	1832	1866	2283	A	B	B	A	A
	3.28	2.90	2032	2066	2411	B	B	C	A	A
	3.60	3.18	2062	2096	2710	C	C	D	A	A
3.80	3.35	2162	2196	2826	C	D	D	A	A	
R2H+	3.28	2.90	2032	2066	2572	B	C	C	A	A
R2S	1.94	1.76	1350	-	2268	A	A	A	A	A
	2.22	2.00	1500	-	2408	A	A	A	A	A
	2.59	2.32	1700	-	2594	A	A	B	A	A
	2.78	2.48	1800	-	2736	A	B	B	A	A
	3.15	2.79	2000	-	2922	B	C	C	A	A
R2X	1.94	1.76	1370	-	2485	A	B	C	A	A
	2.22	2.00	1520	-	2649	C	C	D	A	A
	2.59	2.32	1720	-	2930	C	D	D	A	A
	2.78	2.48	1820	-	3040	A	A	A	A	A
ROCK	1.71	1.48	1572	-	2075	A	A	A	A	A

Based on ISO 10567 and SAE J296, arm length without quick change clamp

A : Suitable for materials with density of 2100kg/m³ (3500lb/yd³) or less

B : Suitable for materials with density of 1800kg/m³ (3000lb/yd³) or less

C : Suitable for materials with density of 1500kg/m³ (2500lb/yd³) or less

D : Suitable for materials with density of 1200kg/m³ (2000lb/yd³) or less

- : Not recommended

MODEL	DX490LCA-7M/DX530LCA-7M DX490LC-7M/DX530LC-7M	DWG No		35/51
-------	--	--------	--	-------

3) OPTION PIPINGS

3-1) ONE-WAY PIPING

MAIN & PILOT PIPING : *OPTION*
FRONT SUPPLY PIPING : *OPTION*
AVAILABLE ATTACHMENT : *BREAKER*

3-2) TWO-WAY (PE3C) PIPING

MAIN & PILOT PIPING : *OPTION*
FRONT SUPPLY PIPING : *OPTION*
AVAILABLE ATTACHMENT : *BUCKET TILT CYLINDER, CLAMSHELL
CRUSHER*

3-3) ROTATING PIPING (PERO) PIPING

MAIN & PILOT PIPING : *OPTION*
FRONT SUPPLY PIPING : *OPTION*
AVAILABLE ATTACHMENT : *ROTATING GRAPPLE*

3-4) AGS SYSTEM (AUTO GREASING SYSTEM)

APPLIED GREASE SPEC

- SPECIES: LITHIUM EP GREASE OR EQUIVALENT
- NLGI GRADE : 2 GRADE

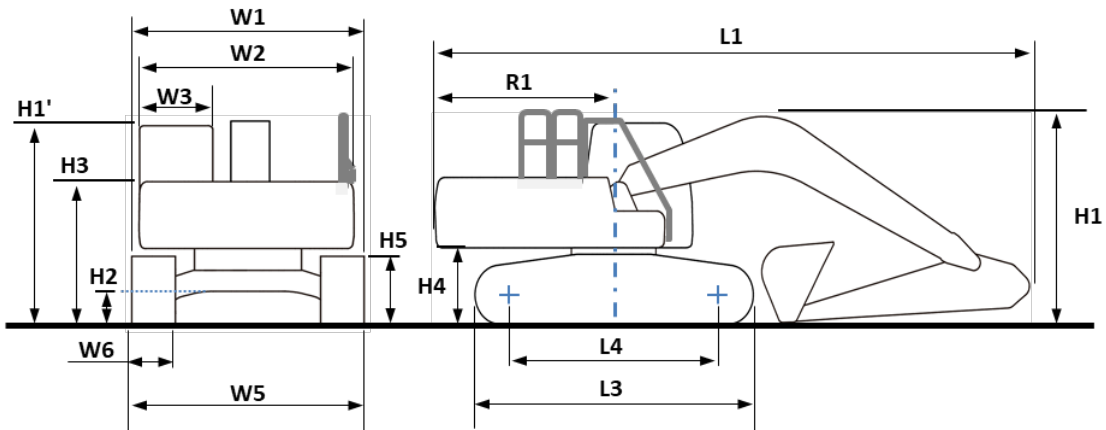
PUMP

- MAX. OPERATING PRESSURE : 300 BAR
- RESEVIOR CAPACITY : 6.3 LITER
- OPERATING TIME : 12MIN
- OPERATING INTERVAL TIME : 1HR
- IP GRADE : IP 56

MODEL	DX490LCA-7M/DX530LCA-7M DX490LC-7M/DX530LC-7M	DWG No		36/51
-------	--	-----------	--	-------

10. DIMENSIONS AND WORKING RANGE

1) DIMENSIONS [METRIC]



▶ VARIABLE TRACK

Model		DX490LC(A)-7M / DX530LC(A)-7M Variable Track [metric]								
Dimension		490 STD/ 530 OPT2	490 OPT1/ 530 OPT3	490 OPT2/ 530 OPT4	530 STD	530 OPT1	530 OPT5	530 OPT6		
Boom		7.1 HD	7.1 HD	7.1	6.3	6.3	9.0	11.0		
Arm		3.35 HD	2.9	3.98	2.9	2.4	6.0	8.0		
Bucket		2.35/2.6 R2H	2.6/2.72 R2H	2.07 R2H	3.28 R2H	3.2	1.27 GP	0.92 GP		
Undercarriage (Track+Grouser)		3.9M 600TG	3.9M 600TG	3.9M 600TG	3.9M 600TG	3.9M 600TG	3.9M 600TG	3.9M 600TG		
Overall	L1	Overall Length		12,220	12,325	12,300	11,530	11,720	14,150	16,190
	H1	Overall Height	Boom	3,575	3,775	3,830	4,140	4,030	3,765	3,935
			Hose	3,680	3,865	3,920	4,185	4,075	3,905	4,070
			Cabin	3,360	3,360	3,360	3,360	3,360	3,360	3,360
	W1	Overall Width (SHIPPING) **	Extended	4,100	4,100	4,100	4,100	4,100	4,100	4,100
			Retracted	3,577	3,577	3,577	3,577	3,577	3,577	3,577
R1	Rear Swing Radius		3,800	3,800	3,800	3,800	3,800	3,800	3,800	
H2	Ground Clearance *		*725	*725	*725	*725	*725	*725	*725	
Swing Body	W2	House Width	Frame only	2,990	2,990	2,990	2,990	2,990	2,990	2,990
			w/Catwalk	3,296	3,296	3,296	3,296	3,296	3,296	3,296
			w/Protector	3,352	3,352	3,352	3,352	3,352	3,352	3,352
	W3	Cabin Width		1,010	1,010	1,010	1,010	1,010	1,010	1,010
	H3	Height Over Cover		2,507	2,507	2,507	2,507	2,507	2,507	2,507
H4	Counterweight clearance *		*1,424	*1,424	*1,424	*1,424	*1,424	*1,424	*1,424	
Undercarriage	H5	Track Height *		*1,195	*1,195	*1,195	*1,195	*1,195	*1,195	*1,195
	L3	Track Length		*5,480	*5,480	*5,480	*5,480	*5,480	*5,480	*5,480
	L4	Tumbler Distance		4,470	4,470	4,470	4,470	4,470	4,470	4,470
	W5	Undercarriage Width ***	Extended	4,100	4,100	4,100	4,100	4,100	4,100	4,100
			Retracted	3,540	3,540	3,540	3,540	3,540	3,540	3,540
	W6	Shoe Width		600	600	600	600	600	600	600
	-	Grouser Height		36	36	36	36	36	36	36

MODEL	DX490LCA-7M/DX530LCA-7M DX490LC-7M/DX530LC-7M	DWG No		37/51
-------	--	-----------	--	-------

CAB	Cabin Height (H1'-H3)	853	853	853	853	853	853	853
-----	-----------------------	-----	-----	-----	-----	-----	-----	-----

* : without grouser

** : EXTENDED / RETRACTED (include side steps. If it excludes side steps, 3,900 / 3,477)

*** : EXTENDED / RETRACTED (include side steps. If it excludes side steps, 3,900 / 3,340)

▶ FIXED TRACK

Model		DX490LC(A)-7M / DX530LC(A)-7M Fixed Track [metric]						
Dimension		OPT	OPT	OPT	OPT	OPT		
Boom		7.1	7.1	7.1	6.3	6.3		
Arm		3.35	2.9	3.98	2.4	2.9		
Bucket		2.6 R2H	2.72 R2H	2.07 R2H	2.91 R2H	2.91 R2H		
Undercarriage (Track+Grouser)		Fixed-600TG	Fixed-600TG	Fixed-600TG	Fixed-600TG	Fixed-600TG		
Overall	L1	Overall Length		12,280	12,345	12,325	11,730	11,520
	H1	Overall Height	Boom	3,575	3,775	3,830	3,975	4,140
			Hose	3,680	3,865	3,920	4,020	4,185
			Cabin	3,210	3,210	3,210	3,210	3,210
	W1	Overall Width(SHIPPING) **		3,510	3,510	3,510	3,510	3,510
	R1	Rear Swing Radius		3,800	3,800	3,800	3,800	3,800
H2	Ground Clearance *		*530	*530	*530	*530	*530	
Swing Body	W2	House Width	Frame only	2,990	2,990	2,990	2,990	2,990
			w/Catwalk	3,296	3,296	3,296	3,296	3,296
			w/Protector	3,352	3,352	3,352	3,352	3,352
	W3	Cabin Width		1,010	1,010	1,010	1,010	1,010
	H3	Height Over Cover		2356	2356	2356	2356	2356
H4	Counterweight Clearance *		*1273	*1273	*1273	*1273	*1273	
Undercarriage	H5	Track Height *		*1070	*1070	*1070	*1070	*1070
	L3	Track Length		*5480	*5480	*5480	*5480	*5480
	L4	Tumbler Distance		4,475	4,475	4,475	4,475	4,475
	W5	Undercarriage Width ***	STD	3,408	3,408	3,408	3,408	3,408
	W6	Shoe Width		600	600	600	600	600
	-	Grouser Height		36	36	36	36	36
CAB	Cabin Height (H1'-H3)		853	853	853	853	853	

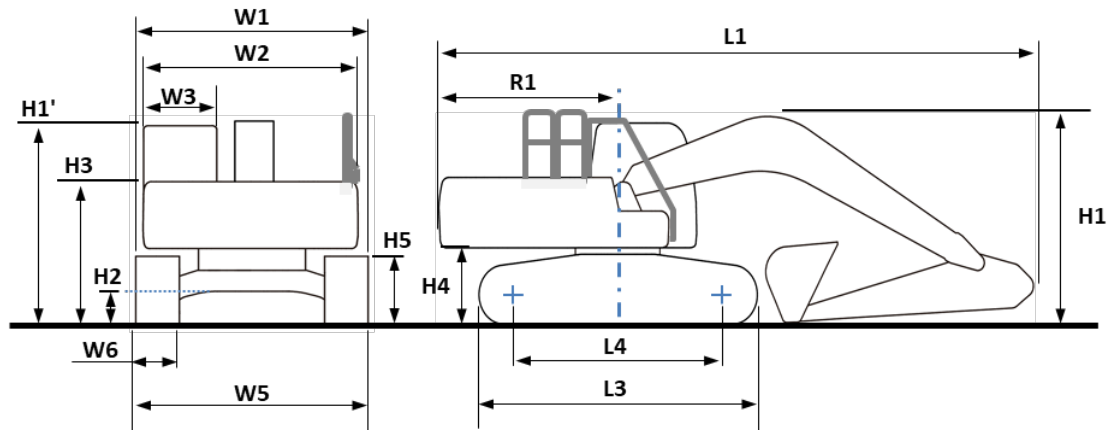
* : without grouser

** : STD (include side steps. If it excludes side steps, STD is 3,481)

*** : STD (include side steps. If it excludes side steps, STD is 3,350)

MODEL	DX490LCA-7M/DX530LCA-7M DX490LC-7M/DX530LC-7M	DWG No		38/51
-------	--	--------	--	-------

2) DIMENSIONS [FEET]



▶ VARIABLE TRACK

Model		DX490LC(A)-7M / DX530LC(A)-7M Variable Track [Feet]								
Dimension		490 STD/ 530 OPT2	490 OPT1/ 530 OPT3	490 OPT2/ 530 OPT4	530 STD	530 OPT1	530 OPT5	530 OPT6		
Boom		7.1 HD	7.1 HD	7.1	6.3	6.3	9.0	11.0		
Arm		3.35 HD	2.9	3.98	2.9	2.4	6.0	8.0		
Bucket		2.35 R2H	2.6 R2H	2.07 R2H	3.28 R2H	3.2	1.27 GP	0.92 GP		
Undercarriage (Track+Grouser)		3.9M 600TG	3.9M 600TG	3.9M 600TG	3.9M 600TG	3.9M 600TG	3.9M 600TG	3.9M 600TG		
Overall	L1	Overall Length		40'1"	40'5"	40'4"	37'10"	38'5"	46'5"	53'1"
	H1	Overall Height	Boom	11'9"	12'5"	12'7"	13'7"	13'3"	12'4"	12'11"
			Hose	12'1"	12'8"	12'10"	13'9"	13'4"	12'10"	13'4"
			Cabin	11'0"	11'0"	11'0"	11'0"	11'0"	11'0"	11'0"
	W1	Overall Width (SHIPPING) **	STD	13'5"	13'5"	13'5"	13'5"	13'5"	13'5"	13'5"
			Retracted	11'9"	11'9"	11'9"	11'9"	11'9"	11'9"	11'9"
	R1	Rear Swing Radius		12'6"	12'6"	12'6"	12'6"	12'6"	12'6"	12'6"
H2	Ground Clearance *		*2'5"	2'5"	*2'5"	*2'5"	*2'5"	*2'5"	*2'5"	
Swing Body	W2	House Width	Frame only	9'10"	9'10"	9'10"	9'10"	9'10"	9'10"	9'10"
			w/Catwalk	10'10"	10'10"	10'10"	10'10"	10'10"	10'10"	10'10"
			w/Protector	10'12"	10'12"	10'12"	10'12"	10'12"	10'12"	10'12"
	W3	Cabin Width		3'4"	3'4"	3'4"	3'4"	3'4"	3'4"	3'4"
	H3	Height Over Cover		8'3"	8'3"	8'3"	8'3"	8'3"	8'3"	8'3"
H4	Counterweight Clearance *		*4'8"	4'8"	*4'8"	*4'8"	*4'8"	*4'8"	*4'8"	
Undercarriage	H5	Track Height *		*3'11"	3'11"	*3'11"	*3'11"	*3'11"	*3'11"	*3'11"
	L3	Track Length		17'12"	17'12"	17'12"	17'12"	17'12"	17'12"	17'12"
	L4	Tumbler Distance		14'8"	14'8"	14'8"	14'8"	14'8"	14'8"	14'8"
	W5	Undercarriage Width ***	STD	13'5"	13'5"	13'5"	13'5"	13'5"	13'5"	13'5"
			Retracted	11'7"	11'7"	11'7"	11'7"	11'7"	11'7"	11'7"
	W6	Shoe Width		1'12"	1'12"	1'12"	1'12"	1'12"	1'12"	1'12"
-	Grouser Height		0'1"	0'1"	0'1"	0'1"	0'1"	0'1"	0'1"	

MODEL	DX490LCA-7M/DX530LCA-7M DX490LC-7M/DX530LC-7M	DWG No		39/51
-------	--	-----------	--	-------

CAB	Cabin Height (H1'-H3)	2'10"	2'10"	2'10"	2'10"	2'10"	2'10"	2'10"
-----	-----------------------	-------	-------	-------	-------	-------	-------	-------

* : without grouser

** : EXTENDED / RETRACTED (include side steps. If it excludes side steps, 12' 10" / 11' 5")

*** : EXTENDED / RETRACTED (include side steps. If it excludes side steps, 12' 10" / 10' 11")

▶ FIXED TRACK

Model		DX490LC(A)-7M / DX530LC(A)-7M Fixed Track [Feet]						
Dimension		OPT	OPT	OPT	OPT	OPT		
Boom		7.1	7.1	7.1	6.3	6.3		
Arm		3.35	2.9	3.98	2.4	2.9		
Bucket		2.6 R2H	2.72 R2H	2.07 R2H	2.91 R2H	2.91 R2H		
Undercarriage (Track+Grouser)		Fixed-600TG	Fixed-600TG	Fixed-600TG	Fixed-600TG	Fixed-600TG		
Overall	L1	Overall Length		40'3"	40'6"	40'5"	38'6"	37'10"
	H1	Overall Height	Boom	11'9"	12'5"	12'7"	13'0"	13'7"
			Hose	12'1"	12'8"	12'10"	13'2"	13'9"
			Cabin	10'6"	10'6"	10'6"	10'6"	10'6"
	W1	Overall Width(SHIPPING) **		11'6"	11'6"	11'6"	11'6"	11'6"
	R1	Rear Swing Radius		12'6"	12'6"	12'6"	12'6"	12'6"
	H2	Ground Clearance *		*1'9"	*1'9"	*1'9"	*1'9"	*1'9"
Swing Body	W2	House Width	Frame only	9'10"	9'10"	9'10"	9'10"	9'10"
			w/Catwalk	10'10"	10'10"	10'10"	10'10"	10'10"
			w/Protector	10'12"	10'12"	10'12"	10'12"	10'12"
	W3	Cabin Width		3'4"	3'4"	3'4"	3'4"	3'4"
	H3	Height Over Cover		7'9"	7'9"	7'9"	7'9"	7'9"
H4	Counterweight Clearance *		*4'2"	*4'2"	*4'2"	*4'2"	*4'2"	
Undercarriage	H5	Track Height *		*3'6"	*3'6"	*3'6"	*3'6"	*3'6"
	L3	Track Length		*17'12"	*17'12"	*17'12"	*17'12"	*17'12"
	L4	Tumbler Distance		14'8"	14'8"	14'8"	14'8"	14'8"
	W5	Undercarriage Width ***	STD	10'12"	10'12"	10'12"	10'12"	10'12"
	W6	Shoe Width		1'12"	1'12"	1'12"	1'12"	1'12"
	-	Grouser Height		0'1"	0'1"	0'1"	0'1"	0'1"
CAB	Cabin Height (H1'-H3)		2'10"	2'10"	2'10"	2'10"	2'10"	

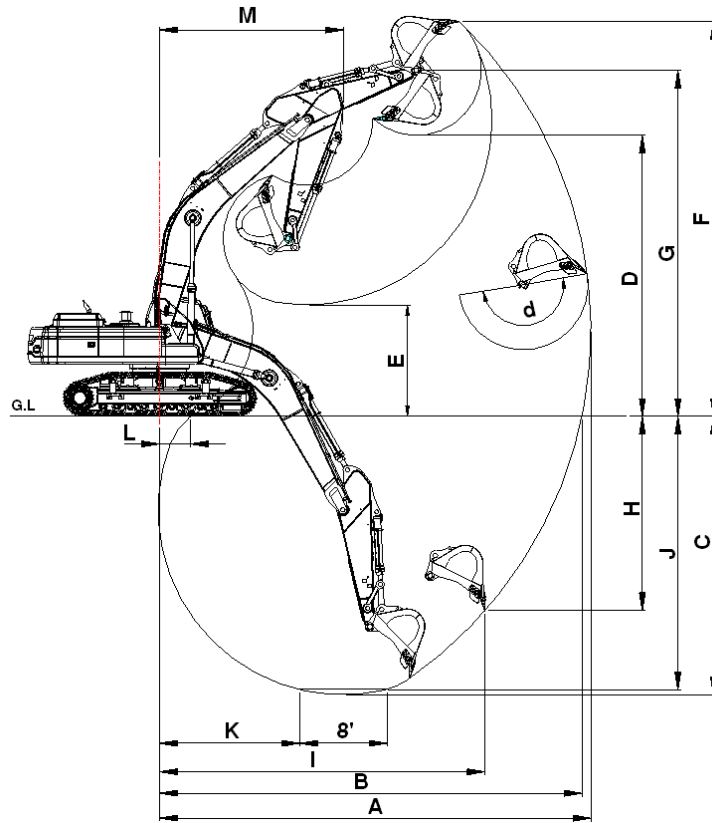
* : without grouser

** : STD (include side steps. If it excludes side steps, STD is 11' 9)

*** : STD (include side steps. If it excludes side steps, STD is 12' 10")

MODEL	DX490LCA-7M/DX530LCA-7M DX490LC-7M/DX530LC-7M	DWG No		40/51
-------	--	--------	--	-------

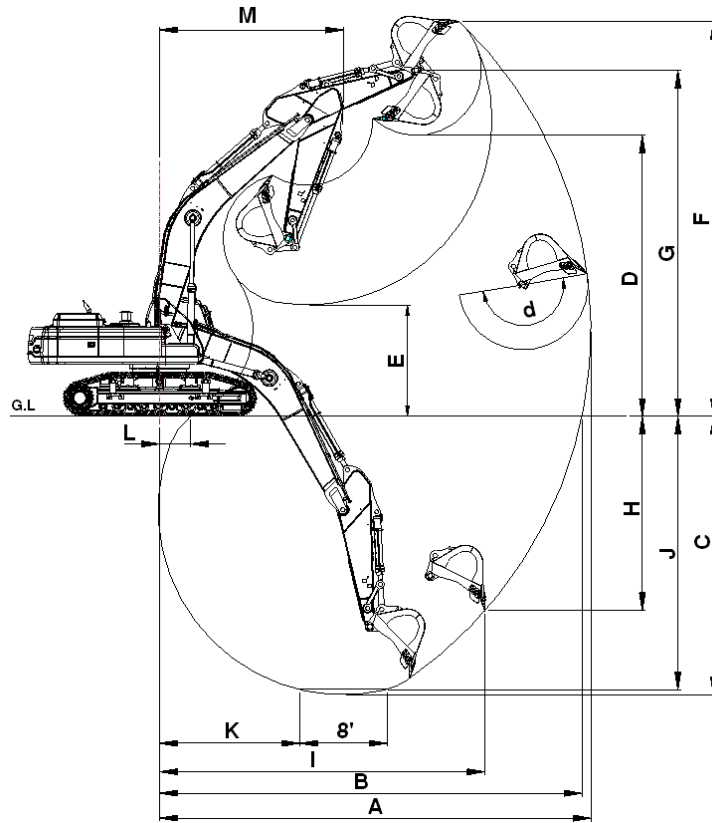
3) WORKING RANGE [METRIC]



▶ VARIABLE TRACK

BOOM TYPE (ONE PIECE)	(mm)	7100(HD)			6300		9000	11000	
ARM TYPE	(mm)	3350(HD)	2900	3980	2400	2900	6000	8000	
BUCKET TYPE (SAE)	(m ³)	2.35 R2H	2.60 R2H	2.07 R2H	3.28 R2H	2.91 R2H	1.27	0.92	
MAX. DIGGING REACH	(mm)	A	12125	11720	12670	10305	10735	16060	19615
MAX. DIGGING REACH (GROUND)	(mm)	B	11865	11455	12425	10000	10445	15870	19455
MAX. DIGGING DEPTH	(mm)	C	7790	7340	8405	6260	6755	11795	15125
MAX. LOADING HEIGHT	(mm)	D	7865	7725	8025	6650	6750	9800	11890
MIN. LOADING HEIGHT	(mm)	E	3130	3580	2510	3505	2980	2076	1465
MAX. DIGGING HEIGHT	(mm)	F	11050	10920	11205	9495	9630	12755	14435
MAX. BUCKET PIN HEIGHT	(mm)	G	9690	9550	9850	8455	8555	11415	13355
MAX. VERTICAL WALL DEPTH	(mm)	H	4370	4045	4930	590	1155	10300	12805
MAX. RADIUS VERTICAL	(mm)	I	9970	9710	10235	9845	10095	9515	12165
MAX. DEPTH TO 8' LINE	(mm)	J	7635	7165	8265	6020	6535	11670	15010
MIN. RADIUS 8' LINE	(mm)	K	3895	3885	3905	3195	3175	4885	6165
MIN. DIGGING REACH	(mm)	L	840	2010	50	2015	1160	-109	40
MIN. SWING RADIUS	(mm)	M	5210	5235	5185	4740	4715	6525	7825
BUCKET ANGLE	(deg)	d	189.1	181.2	180.9	184.5	186.2	175.2	177.6

MODEL	DX490LCA-7M/DX530LCA-7M DX490LC-7M/DX530LC-7M	DWG No		41/51
-------	--	--------	--	-------

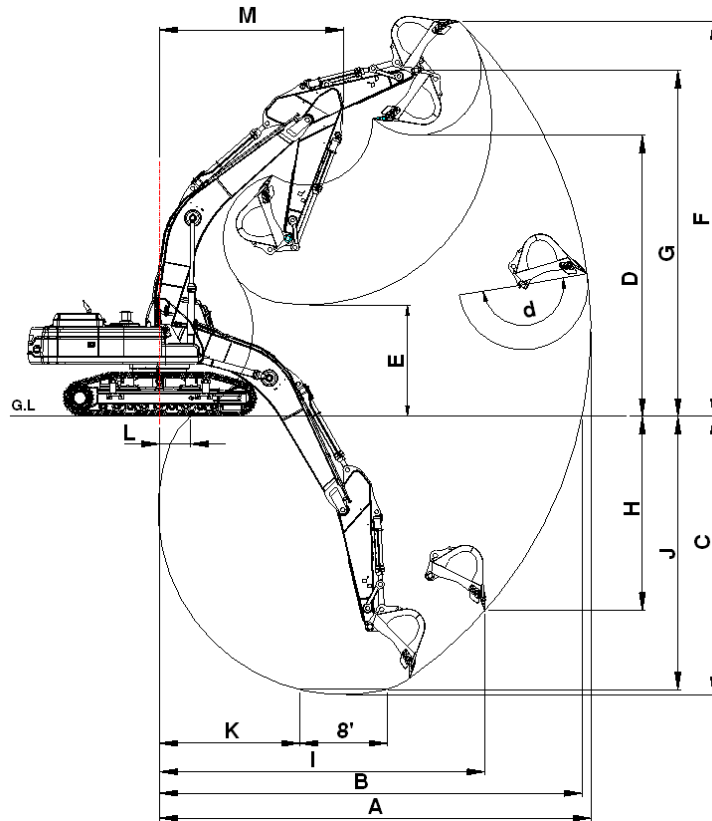


► FIXED TRACK

BOOM TYPE (ONE PIECE)	(mm)	7100(HD)			6300		
ARM TYPE	(mm)	3350(HD)	2900	3980	2400	2900	
BUCKET TYPE (SAE)	(m ³)	2.35 R2H	2.60 R2H	2.07 R2H	3.28 R2H	2.91 R2H	
MAX. DIGGING REACH	(mm)	A	12125	11720	12670	10305	10735
MAX. DIGGING REACH (GROUND)	(mm)	B	11895	11485	12455	10030	10475
MAX. DIGGING DEPTH	(mm)	C	7940	7490	8555	6410	6905
MAX. LOADING HEIGHT	(mm)	D	7715	7575	7875	6500	6600
MIN. LOADING HEIGHT	(mm)	E	2980	3430	2360	3355	2830
MAX. DIGGING HEIGHT	(mm)	F	10900	10770	11055	9345	9480
MAX. BUCKET PIN HEIGHT	(mm)	G	9540	9400	9700	8305	8405
MAX. VERTICAL WALL DEPTH	(mm)	H	4520	4195	5080	740	1305
MAX. RADIUS VERTICAL	(mm)	I	9970	9710	10235	9845	10095
MAX. DEPTH TO 8' LINE	(mm)	J	7785	7315	8415	6170	6685
MIN. RADIUS 8' LINE	(mm)	K	3895	3885	3905	3195	3175
MIN. DIGGING REACH	(mm)	L	1055	2195	200	2165	1310
MIN. SWING RADIUS	(mm)	M	5210	5235	5185	4740	4715
BUCKET ANGLE	(deg)	d	189.1	181.2	180.9	184.5	186.2

MODEL	DX490LCA-7M/DX530LCA-7M DX490LC-7M/DX530LC-7M	DWG No		42/51
-------	--	-----------	--	-------

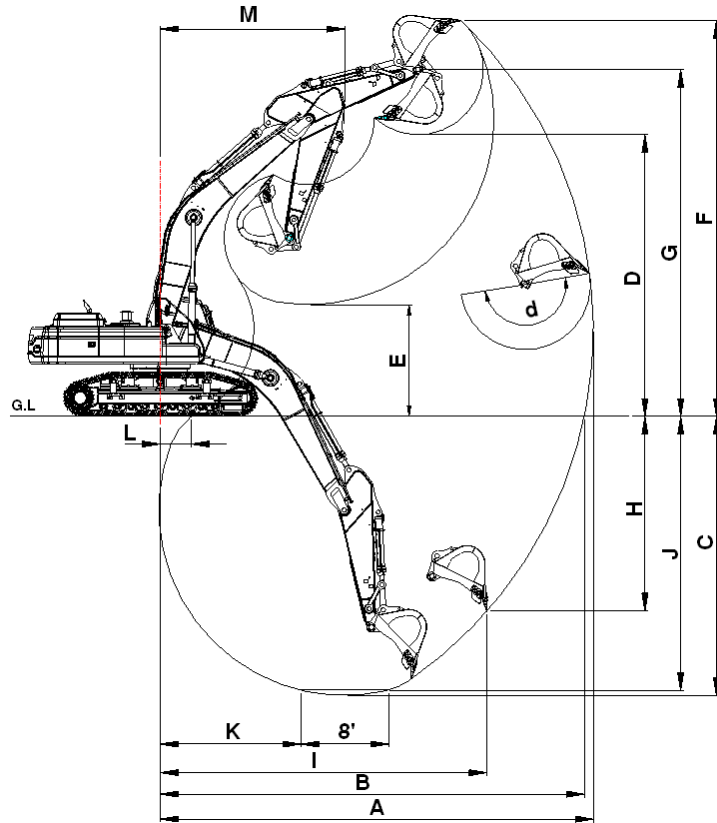
4) WORKING RANGE [FEET]



▶ VARIABLE TRACK

BOOM TYPE (ONE PIECE)	(ft-in)	23' 4" (HD)			20' 8"		29' 6"	36' 1"	
ARM TYPE	(ft-in)	11' 0" (HD)	9' 6"	13' 1"	7' 10"	9' 6"	19' 8"	26' 3"	
BUCKET TYPE (SAE)	(yd ³)	3.07 R2H	3.40 R2H	2.71 R2H	4.29 R2H	3.81 R2H	1.66	1.20	
MAX. DIGGING REACH	(ft-in)	A	39' 9"	38' 5"	41' 7"	33' 10"	35' 3"	52' 8"	64' 4"
MAX. DIGGING REACH (GROUND)	(ft-in)	B	38' 11"	37' 7"	40' 9"	32' 10"	34' 3"	52' 1"	63' 10"
MAX. DIGGING DEPTH	(ft-in)	C	25' 7"	24' 1"	27' 7"	20' 6"	22' 2"	38' 8"	49' 7"
MAX. LOADING HEIGHT	(ft-in)	D	25' 10"	25' 4"	26' 4"	21' 10"	22' 2"	32' 2"	39' 0"
MIN. LOADING HEIGHT	(ft-in)	E	10' 3"	11' 9"	8' 3"	11' 6"	9' 9"	6' 10"	4' 10"
MAX. DIGGING HEIGHT	(ft-in)	F	36' 3"	35' 10"	36' 9"	31' 2"	31' 7"	41' 10"	47' 4"
MAX. BUCKET PIN HEIGHT	(ft-in)	G	31' 9"	31' 4"	32' 4"	27' 9"	28' 1"	37' 5"	43' 10"
MAX. VERTICAL WALL DEPTH	(ft-in)	H	14' 4"	13' 3"	16' 2"	1' 11"	3' 9"	33' 10"	42' 0"
MAX. RADIUS VERTICAL	(ft-in)	I	32' 9"	31' 10"	33' 7"	32' 4"	33' 1"	31' 3"	39' 11"
MAX. DEPTH TO 8' LINE	(ft-in)	J	25' 1"	23' 6"	27' 1"	19' 9"	21' 5"	38' 3"	49' 3"
MIN. RADIUS 8' LINE	(ft-in)	K	12' 9"	12' 9"	12' 10"	10' 6"	10' 5"	16' 0"	20' 3"
MIN. DIGGING REACH	(ft-in)	L	2' 9"	6' 7"	2"	6' 7"	3' 10"	- 4"	2"
MIN. SWING RADIUS	(ft-in)	M	17' 1"	17' 2"	17' 0"	15' 7"	15' 6"	21' 5"	25' 8"
BUCKET ANGLE	(deg)	d	189.1	181.2	180.9	184.5	186.2	175.2	177.6

MODEL	DX490LCA-7M/DX530LCA-7M DX490LC-7M/DX530LC-7M	DWG No		43/51
-------	--	--------	--	-------



► FIXED TRACK

BOOM TYPE (ONE PIECE)	(ft-in)		23' 4"			20' 8"	
ARM TYPE	(ft-in)		11' 0"	9' 6"	13' 1"	7' 10"	9' 6"
BUCKET TYPE (SAE)	(yd ³)		2.80 GP	3.13 GP	2.35 GP	4.29 R2H	3.81 R2H
MAX. DIGGING REACH	(ft-in)	A	39' 9"	38' 5"	41' 7"	33' 10"	35' 3"
MAX. DIGGING REACH (GROUND)	(ft-in)	B	39' 0"	37' 8"	40' 10"	32' 11"	34' 4"
MAX. DIGGING DEPTH	(ft-in)	C	26' 1"	24' 7"	28' 1"	21' 0"	22' 8"
MAX. LOADING HEIGHT	(ft-in)	D	25' 4"	24' 10"	25' 10"	21' 4"	21' 8"
MIN. LOADING HEIGHT	(ft-in)	E	9' 9"	11' 3"	7' 9"	11' 0"	9' 3"
MAX. DIGGING HEIGHT	(ft-in)	F	35' 9"	35' 4"	36' 3"	30' 8"	31' 1"
MAX. BUCKET PIN HEIGHT	(ft-in)	G	31' 4"	30' 10"	31' 10"	27' 3"	27' 7"
MAX. VERTICAL WALL DEPTH	(ft-in)	H	14' 10"	13' 9"	16' 8"	2' 5"	4' 3"
MAX. RADIUS VERTICAL	(ft-in)	I	32' 9"	31' 10"	33' 7"	32' 4"	33' 1"
MAX. DEPTH TO 8' LINE	(ft-in)	J	25' 6"	24' 0"	27' 7"	20' 3"	21' 11"
MIN. RADIUS 8' LINE	(ft-in)	K	12' 9"	12' 9"	12' 10"	10' 6"	10' 5"
MIN. DIGGING REACH	(ft-in)	L	3' 6"	7' 2"	8"	7' 1"	4' 4"
MIN. SWING RADIUS	(ft-in)	M	17' 1"	17' 2"	17' 0"	15' 7"	15' 6"
BUCKET ANGLE	(deg)	d	189.1	181.2	180.9	184.5	186.2

MODEL	DX490LCA-7M/DX530LCA-7M DX490LC-7M/DX530LC-7M	DWG No		44/51
-------	--	-----------	--	-------

11. LIFTING CAPACITIES

Ref. Attached File

12. PERFORMANCE DATA

1) MAIN RELIEF PRESSURE

WORKING, TRAVEL : 324 [+10/0] bar (330 [+10/0] kg/cm²)
PRESSURE UP : 343 [+10/0] bar (350 [+10/0] kg/cm²)

MODEL	DX490LCA-7M/DX530LCA-7M DX490LC-7M/DX530LC-7M	DWG No		45/51
-------	--	-----------	--	-------

2) ACTUATOR SPEED – DX490LCA-7M(T2)

OPERATION		UNIT	S MODE	P+ MODE
BOOM	UP	SEC	4.1	23.7
	DOWN	SEC	2.4	2.4
	DOWN (w Lock V/V)	SEC	2.4	2.4
ARM	CROWD	SEC	4	3.8
	CROWD (w Lock V/V)	SEC	4.5	4.2
	DUMP	SEC	3.3	3
BUCKET	CROWD	SEC	3.1	2.8
	DUMP	SEC	3.3	3
SWING (3 REVOLUTIONS)		SEC	25.9	23
DOZER	UP	-	-	
	DOWN	-	-	
JACK-UP SPEED (3 TURNS)	LOW	45.8	41.3	41.3
	HIGH	26.2	23.6	23.6
TRAVEL SPEED (20 m)	LOW	28.9	26	26
	HIGH	16.8	15.1	15.1
TRAVEL DEVIATION (20 m)	LOW	405	405	405
	HIGH	435	435	435

* 7.1m HD BOOM + 3.35m HD ARM

3) ACTUATOR SPEED – DX530LCA-7M(T2)

OPERATION		UNIT	S MODE	P+ MODE
BOOM	UP	SEC	4.1	3.7
	DOWN	SEC	2.4	2.4
	DOWN (w Lock V/V)	SEC	2.4	2.4
ARM	CROWD	SEC	4.0	3.8
	CROWD (w Lock V/V)	SEC	4.3	4.1
	DUMP	SEC	3.2	3.0
BUCKET	CROWD	SEC	3.4	2.8
	DUMP	SEC	3.6	3.0
SWING (3 REVOLUTIONS)		SEC	25.9	23
DOZER	UP	SEC	-	-
	DOWN	SEC	-	-
JACK-UP SPEED (3 TURNS)	LOW	SEC	45.8	41.3
	HIGH	SEC	26.2	23.6
TRAVEL SPEED (20 m)	LOW	SEC	28.9	26
	HIGH	SEC	16.8	15.1
TRAVEL DEVIATION (20 m)	LOW	mm	405	405
	HIGH	mm	435	435

* 6.3m BOOM + 2.9m ARM

MODEL	DX490LCA-7M/DX530LCA-7M DX490LC-7M/DX530LC-7M	DWG No		46/51
-------	--	-----------	--	-------

4) ACTUATOR SPEED – DX490LC-7M(T3)

OPERATION		UNIT	S MODE	P+ MODE
BOOM	UP	SEC	4.5	4.0
	DOWN	SEC	2.4	2.4
	DOWN (w Lock V/V)	SEC	2.4	2.4
ARM	CROWD	SEC	4.2	4.0
	CROWD (w Lock V/V)	SEC	4.5	4.3
	DUMP	SEC	3.6	3.2
BUCKET	CROWD	SEC	3.4	3.0
	DUMP	SEC	3.6	3.2
SWING (3 REVOLUTIONS)		SEC	23.2	20.6
DOZER	UP	SEC	-	-
	DOWN	SEC	-	-
JACK-UP SPEED (3 TURNS)	LOW	SEC	45.5	39.1
	HIGH	SEC	26.2	22.8
TRAVEL SPEED (20 m)	LOW	SEC	28.7	24.7
	HIGH	SEC	16.4	14.3
TRAVEL DEVIATION (20 m)	LOW	mm	405	405
	HIGH	mm	435	435

* 7.1m HD BOOM + 3.35m HD ARM

5) ACTUATOR SPEED – DX530LC-7M(T3)

OPERATION		UNIT	S MODE	P+ MODE
BOOM	UP	SEC	3.9	3.5
	DOWN	SEC	2.4	2.4
	DOWN (w Lock V/V)	SEC	2.4	2.4
ARM	CROWD	SEC	4.5	4.1
	CROWD (w Lock V/V)	SEC	4.8	4.4
	DUMP	SEC	3.4	3
BUCKET	CROWD	SEC	3.3	2.9
	DUMP	SEC	3.5	3.1
SWING (3 REVOLUTIONS)		SEC	23.2	20.6
DOZER	UP	SEC	-	-
	DOWN	SEC	-	-
JACK-UP SPEED (3 TURNS)	LOW	SEC	45.5	39.1
	HIGH	SEC	26.2	22.8
TRAVEL SPEED (20 m)	LOW	SEC	28.7	24.7
	HIGH	SEC	16.4	14.3
TRAVEL DEVIATION (20 m)	LOW	mm	405	405
	HIGH	mm	435	435

* 6.3m BOOM + 2.9m ARM

MODEL	DX490LCA-7M/DX530LCA-7M DX490LC-7M/DX530LC-7M	DWG No		47/51
-------	--	-----------	--	-------

13. NOISE LEVEL

1) DX490LCA-7M / DX530LCA-7M

L_{WA}	GUARANTEED SOUND POWER LEVEL	:	<i>108 dB(A) (2000/14/EC)</i>
	MEASURED SOUND POWER LEVEL	:	<i>107 dB(A) (2000/14/EC)</i>
L_{pA}	OPERATOR NOISE	:	<i>74 dB(A) (ISO 6396)</i>

2) DX490LC-7M / DX530LC-7M (TRO)

L_{WA}	GUARANTEED SOUND POWER LEVEL	:	<i>108 dB(A) (2000/14/EC)</i>
	MEASURED SOUND POWER LEVEL	:	<i>107 dB(A) (2000/14/EC)</i>
L_{pA}	OPERATOR NOISE	:	<i>74 dB(A) (ISO 6396)</i>

3) DX490LC-7M / DX530LC-7M (STD)

L_{WA}	GUARANTEED SOUND POWER LEVEL	:	<i>107 dB(A) (2000/14/EC)</i>
	MEASURED SOUND POWER LEVEL	:	<i>106 dB(A) (2000/14/EC)</i>
L_{pA}	OPERATOR NOISE	:	<i>74 dB(A) (ISO 6396)</i>

MODEL	DX490LCA-7M/DX530LCA-7M DX490LC-7M/DX530LC-7M	DWG No		48/51
-------	--	-----------	--	-------

14. SUB GROUP WEIGHT

(UNIT : kg)

ITEM		DX490LCA-7M DX490LC-7M	DX530LCA-7M DX530LC-7M	REMARKS
SUPER STRUCTURE W/O FRONT		11,300		Except C/Weight
COUNTERWEIGHT		8500 / 9200	11100	
LOWER STRUCTURE ASS'Y		20,100		Wide Variable Track 600mm Shoe
FRONT ASS'Y		10971	10681	Based on Standard *
BOOM	6300 mm	3495		Including Bushes
	7100 mm	3772		
	HD 7100 mm	3829		
	9000 mm	-	4037	Semi S/L Front
	11000 mm	-	4523	S/L Front
ARM	2400 mm	1462		Including Bushes
	2900 mm	1665		
	3350 mm	1684		
	HD 3350 mm	1775		
	3980 mm	1831		
	6000 mm	-	2036	Semi S/L Front
	8000 mm	-	2429	S/L Front
BUCKET (SAE)	GP 0.92 m ³ (1.22 yd ³)	-	724	For S/L Front
	GP 1.27 m ³ (1.66 yd ³)	-	1094	For Semi S/L Front
	Ditch 1.12 m ³ (1.46 yd ³)	-	975	For Semi S/L Front
	Ditch 1.37 m ³ (1.79 yd ³)	-	1116	For Semi S/L Front
	GP 2.14 m ³ (2.80 yd ³)	1910		
	GP 2.39 m ³ (3.13 yd ³)	2027		
	GP 2.86 m ³ (3.74 yd ³)	2279		
	Rock 1.71 m ³ (2.24 yd ³)	1971		
	R2H 2.07 m ³ (2.71 yd ³)	1952		
	R2H 2.35 m ³ (3.07 yd ³)	2121		
	R2H 2.60 m ³ (3.40 yd ³)	2260		
	R2H 2.72 m ³ (3.56 yd ³)	2283		
	R2H 2.91 m ³ (3.81 yd ³)	2411		
	R2H 3.28 m ³ (4.29 yd ³)	2572		
	R2H 3.60 m ³ (4.71 yd ³)	2710		
	R2H 3.80 m ³ (4.97 yd ³)	2826		
	R2S 1.94 m ³ (2.54 yd ³)	2268		
	R2S 2.22 m ³ (2.90 yd ³)	2408		
	R2S 2.59 m ³ (3.39 yd ³)	2594		
	R2S 2.78 m ³ (3.64 yd ³)	2736		
R2S 3.15 m ³ (4.12 yd ³)	2922			
BOOM CYLINDER (each)		406	406	Φ170xΦ115x1650mm
ARM CYLINDER	For 7.1m Boom	612	612	Φ190xΦ130x1980mm
	For 6.3m Boom	575	575	Φ190xΦ130x1805mm
BUCKET CYLINDER	For All others	375	375	Φ170xΦ115x1341mm
	For 6.0m Arm	-	252	Φ140xΦ90x1150mm
	For 8.0m Arm	-	178	Φ120xΦ80x1060mm

[NOTE]

* DX490LC(A)-7M STANDARD FRONT – 7.1m HD BOOM, 3.35m HD ARM, 2.35m³ R2H BUCKET.

DX530LC(A)-7M STANDARD FRONT – 6.3m BOOM, 2.90m ARM, 3.28m³ R2H BUCKET.

MODEL	DX490LCA-7M/DX530LCA-7M DX490LC-7M/DX530LC-7M	DWG No		49/51
-------	--	-----------	--	-------

15. USER SERVICE DATA

No.	Items to check	Service	Qty.	Service interval [hours]					
				10	50	250	500	1,000	2,000
1	Arm, Bucket Joint Pin ¹⁾	Grease	6	F100	W10				
2	Boom, Arm Joint Pin ¹⁾²⁾	Grease	11	F100		W10			
3	Swing Bearing ¹⁾	Grease	3		W10				
4	Pinion Gear (Swing)	Grease	1						
		Grease	2					W10	
5	Swing Reduction Gear	Gear Oil	2 x 5L	V			F		
		Grease	2						
6	Track Spring	Grease	2				W10,V		
7	Travel Reduction Gear	Gear Oil	2 x 9 L				F, V		
8	Engine Oil	Engine Oil	T2: 31L T3: 45 L	V					
9	Hydraulic Oil Tank ³⁾	Hydraulic Oil	390(265) L	V					
10	Fuel Tank ⁴⁾	Diesel	626(616) L	V	D				
11	Pre Fuel Filter and Water Separator	Cartridge	1	V, D					
12	Coolant	Coolant	T2: 56.5 L T3: 53.3 L	V					
13	Hydraulic Oil Return Filter	Element	2			F			
14	Pilot Filter	Element	1			F			
15	Hydraulic Oil Suction Strainer	Strainer	1						C
16	Engine Oil Filter	Element	1						
17	Main Fuel Filter	Cartridge	1						
18	Air Cleaner (Outer)	Element	1				C		
	Air Cleaner (Inner)	Element	1						
19	Air Conditioner Filter (Outer)	Element	1				C		
	Air Conditioner Filter (Inner)	Element	1				C		
20	Air Breather Filter	Element	1						
21	Fuel Cap Filter	Element	1						
22	Breaker Filter (Opt)	Cartridge	1						
23	Air Compressor Filter (Opt)	Cartridge	1				C		
24	Oil Bath Precleaner (Opt)	Engine Oil	9.5 L		V				
		Element	1		V				C
25	Centrifugal Oil Cleaner	Rotor	1						C
26	Radiator Core	Core	1				C		
27	Fuel Cooler Core	Core	1				C		
28	Oil Cooler Core	Core	1				C		
29	Intercooler Core	Core	1				C		
30	Aircon Condenser Core	Core	1				C		

V: Maintenance and Refill

C: Cleaning

D: Drain Water

F: First Time Exchange Only

F100: Every 10 Hours For First 100 Hours

W10: Every 10 Hours If Operating In Water

: Replacement On Every Interval

MODEL	DX490LCA-7M/DX530LCA-7M DX490LC-7M/DX530LC-7M	DWG No		50/51
-------	--	--------	--	-------

1) If Auto Grease System (optional) is equipped, check and refill the system(AGS 옵션 장착 기종에만 표기)

2) One piece BOOM(Two piece BOOM)

3) Total Tank Capacity(Level)

4) Total Tank Capacity(max. possible refueling volume)

16. CIRCUITS

- HYDRAULIC CIRCUIT : 950102-00858A(T2/T3)

- ELECTRIC CIRCUIT : 950102-00952(T2), 950102-00953(T3)

MODEL	DX490LCA-7M/DX530LCA-7M DX490LC-7M/DX530LC-7M	DWG No		51/51
-------	--	-----------	--	-------